

									<b>S1</b>
	2	70- 2.76	50- 1.97	384,8- 23.5		2,4 - 466	4	230/400-50-3	

	bar 10 psi 145
	l/min 546 cfm 19.3
	r.p.m 1420
	dB-A 81

## TECHNICAL DATA

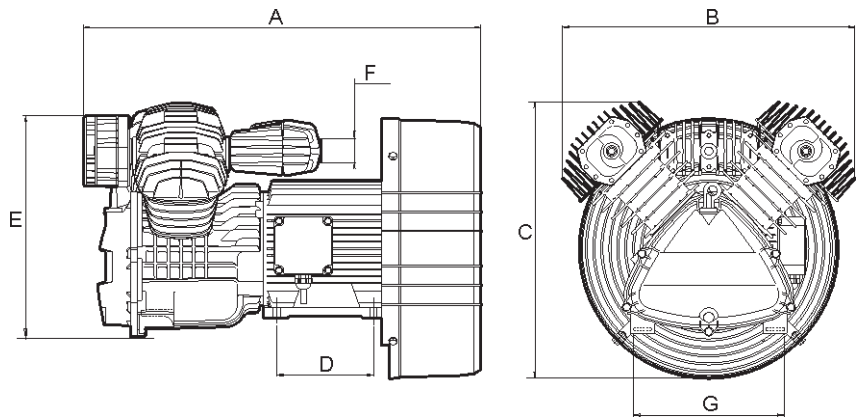
With ambient temperature +5°C /+40°C

# VKM592

# 4,0 hp

## WEIGHT AND DIMENSIONS

	kg. 45,5 Lb. 100.3		l 1,52 gal. 0.40
	kg. 50 Lb. 110.3		l 0,35 gal. 0.09
			g/h 1,40 oz/h 0.05



<b>A</b>	mm 575 inch 22.6	<b>C</b>	mm 400 inch 15.7	<b>E</b>	mm 335 inch 13.1	<b>G</b>	mm 160 inch 6.2
<b>B</b>	mm 424 inch 16.6	<b>D</b>	mm 140 inch 5.5	<b>F</b>	bsp 1/2" npt ...		

## TIGHTENING TORQUE

N° - No	(Nm)
1	11
2	24
3	11
4	-
5	-
6	24

