

unoreel®

unoflex®



Premium Flow Products 2019
Hose reel / Cable reel / Air hose

CONTENTS OVERVIEW

COMPOUND REELS
(5 YEAR WARRANTY)



315
Page 4 - 5

317
Page 6 - 7

316

OPEN STEEL REELS
(5 YEAR WARRANTY)



334
Page 10 - 11

335

335 AISI 316
Page 12 - 13

STEEL REELS
(5 YEAR WARRANTY)



320
Page 8 - 9

PORTABLE REELS
(5 YEAR WARRANTY)



301
Page 20 - 21

CABEL REELS
(5 YEAR WARRANTY)



Page 16 - 17

Page 18 - 19

COILED PU HOSE



Page 22 - 23

PREMIUM HOSES



Page 24 - 30

Why and how to select the ideal air line accessory?

Energy efficiency of compressed air

Compressed air is basically ideal as a power source:

- It needs low safety measures and is easy to distribute
- Air Tools are more light weight then electrical tools of same power output

However!

- » It is the most expensive power source with an Energy coefficient of ~10%
- » It takes 10 KW of compressor consumption to create 1 KW at the tool
- » The air line between tool and compressor creates energy losses

CHOOSING CORRECT AIR LINE PRODUCTS SAVES COST!



Optimizing air flow saves energy - and increases efficiency

All our products are air flow optimized

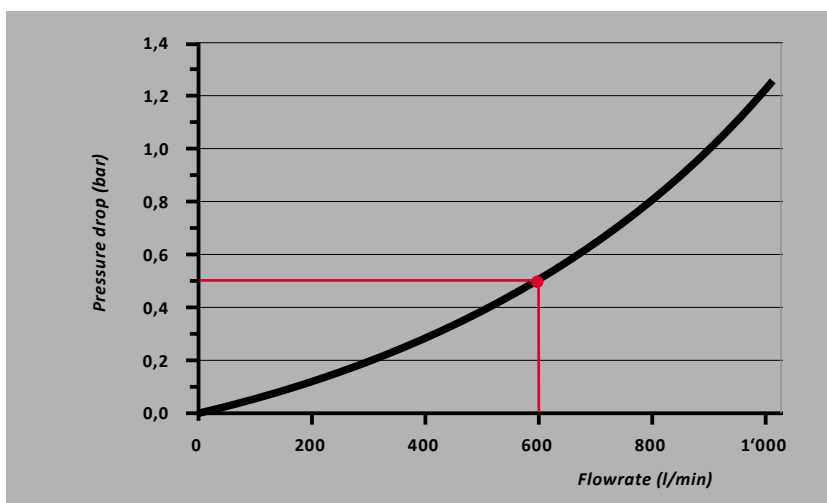
- Axles, hose fittings, hose dimensions are optimized to suit the reel type and it's targeted applications
- Coiled hoses are produced without kinks, hard corners or flattening

For each relevant product we provide air flow data

- » We guide you to choose correct air line accessory and save cost
- » We support you to get the most ergonomic air line connections



Choose the air line dimension by the air flow charts



Example

- 600 l/min flow
- Max 0.5 bar pressure loss accepted



100% EsterPU
100% Ether PU



-30°C - +60°C



6m - 15m



MEDIUM workplace reel

Features & Benefits

Casing made in schock proof PP/Polypropylene
- suitable for tough environments

Ultra-lightweight & soft PU braided hose
- Comfortable handling even at very low temperatures

from 6 to 15 meters true rollable working length
- Store the hose completely back to the reel

Full-flow axle design
- Well suitable for tools up to 12 l/sec despite small hose

Revolving hinge with 200° rotation
- Easy to reach your application accurately

Optional Accessories

High-flow Coupling / Plug

Safety Coupling

Special versions on request

For areas with low temperatures down to -30°C
- fitted with Ultrasoft Ether based PU braided hose

10 mm ID / 10 meter hose for higher airflow

Other colors of hose



Steel hinge and shock-resistant Polypropylene for best durability



Large bore for best possible airflow

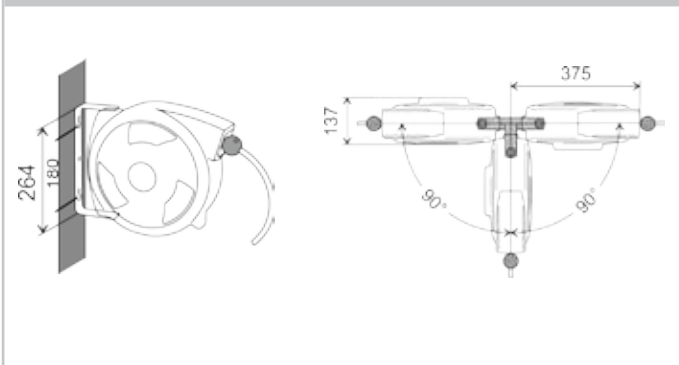


Flow optimized Lead-hose connection

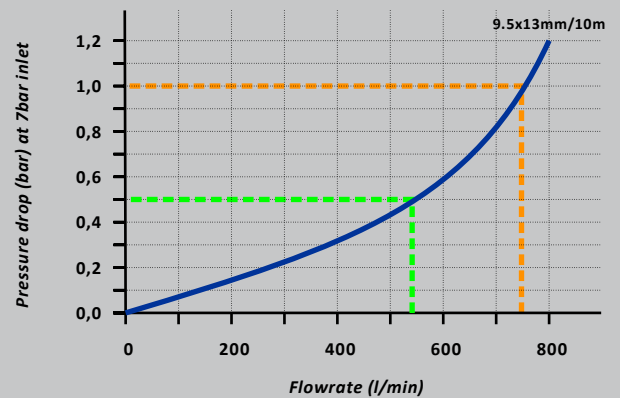
Dimensions

Angular view

Top view



Airflow chart



Installation tip for 315 Hose reel

Hose reel to be mounted on a wall, pillar or ceiling, minimum 2.5 m above the floor.
Hose reel fitted with 2 pcs. screw on firm ground.

COMPOUND REEL SERIES 315 - Versions and technical data

	Hose Length	Hose ø mm	Lead Hose	Hose Material	Temperature & Pressure	Thread In/Out	Weight	Part Number
315 PU Short	6 m (20 ft)	6.5 x 10 (1/4")	1,5 m (5 ft)	Ester-PU (100%)	- 20°C to +60°C 12 bar (174 psi)	1/4" - 1/4" BSPT	4.0 kg (9 lbs)	315.0314
315 PU Standard	10 m (33 ft)	8 x 12 (5/16")	1.5 m (5 ft)	Ester-PU (100%)	- 20°C to +60°C 12 bar (174 psi)	1/4" - 1/4" BSPT	4.5 kg (9,9 lbs)	315.1001
315 PU Polar	10 m (33 ft)	8 x 12 (5/16")	1.5 m (5 ft)	Ether-PU (100%)	- 30°C to +60°C 12 bar (174 psi)	1/4" - 1/4" BSPT	4.5 kg (9,9 lbs)	315.1009
315 PU High-Flow	9 m (30 ft)	10 x 14 (3/8")	1.5 m (5 ft)	Ester-PU (100%)	- 20°C to +60°C 12 bar (174 psi)	1/4" - 1/4" BSPT	4.5 kg (9,9 lbs)	315.1102
315 PU Long Reach	15 m (49 ft)	6.5 x 10 (1/4")	1.5 m (5 ft)	Ester-PU (100%)	- 20°C to +60°C bar (174 psi)	1/4" - 1/4" BSPT	4.5 kg (9,9 lbs)	315.1200



PVC / PUR



-30°C - +60°C



14 - 16 m



Compound workplace reel

Features & Benefits

Casing made in shock proof PP/Polypropylene
- suitable for tough environments

Unoflex high quality braided hose, soft & comfortable handling even at very low temperatures.

Blue PU Ester in Ø: 6,5x10mm - 8x12mm - 10x14mm

Black PU Ether in Ø: 8x12mm - 10x14mm

Blue SofTech PVC in Ø: 8x12,5mm - 10x15mm

Hose length: up to 16 meter

- Store the hose completely back to the reel

Full-flow axle design

- Well suitable for tools up to 15 l/sec!

Revolving hinge with 200° rotation

- Easy to reach your application accurately

Model 316 has a hose guide mechanism.

Model 317 has hose guide mechanism and safety retraction.

Optional Accessories

High-flow Coupling / Plug

Safety Coupling

1/4" or 3/8" ball-bearing swivel fittings

Special versions on request

Other colors or qualities of hoses

Other length

Other colors of casing



Large bore for best possible airflow



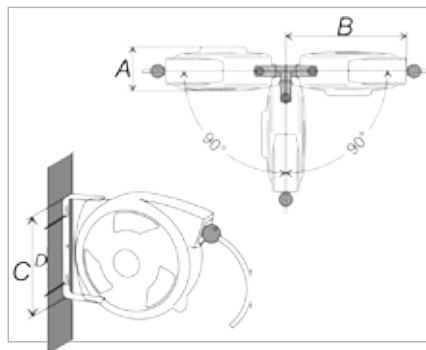
Kink protection with fixation to protect against jerky hose pull-out



180° stopping mechanism ensures maximum flow in locking position



Hose guide mechanism in 316 & 317 version to protect against hose to pilling up



317 version has Safe retraction device for safe roll in of the hose

Serie 316 Hose reel :

Standard hose: 10 x 14 mm
Hose guide mechanism

Dimension (mm):

	A	B	C	D
317 :	190	400	277	185
316 :	190	435	277	185

Serie 317 Hose reel :

Standard hose: 8 x 12 mm
Hose guide mechanism
Safety retraction device

COMPOUND REEL SERIES - Versions and technical data

Version	Hose Length	Hose ø mm	Lead Hose	Hose Material	Temperature & Pressure	Thread In/Out	Weight	Part Number	
Safety Retraction	317 PU Standard	16 m (40 ft)	8 x 12 (5/16")	1.5 m (5 ft)	Ester-PUR (100%)	- 20°C to +60°C 12 bar (174 psi)	1/4" - 1/4" BSPT	5,0 kg (11 lbs)	317.1000
	317 PU Polar	16 m (40 ft)	8 x 12 (5/16")	1.5 m (5 ft)	Ether-PUR (100%)	- 30°C to +60°C 12 bar (174 psi)	1/4" - 1/4" BSPT	5,0 kg (11 lbs)	317.1200
	317 PVC SofTech	16 m (38 ft)	8 x 12,5 (5/16")	1.5 m (5 ft)	PVC (100%)	- 25°C to +60°C 12 bar (174 psi)	1/4" - 1/4" BSPT	5,0 kg (11 lbs)	317.1800
316 PU Standard	16 m (40 ft)	10 x 14 (3/8")	1.5 m (5 ft)	Ester-PUR (100%)	- 20°C to +60°C 12 bar (174 psi)	3/8" - 3/8" BSPT	6,2 kg (13,6 lbs)	316.1000	
316 PU Polar	16 m (49 ft)	10 x 14 (3/8")	1.5 m (5 ft)	Ether-PUR (100%)	- 30°C to +60°C 12 bar (174 psi)	3/8" - 3/8" BSPT	6,2 kg (13,6 lbs)	316.1200	
316 PVC SofTech	14 m (35 ft)	10 x 15 (3/8")	1.5 m (5 ft)	PVC (100%)	- 25°C to +60°C 12 bar (174 psi)	3/8" - 3/8" BSPT	6,8 kg (14,9 lbs)	316.1800	

Installation tip for Compound Hose reel

Hose reel to be mounted on a wall, pillar or ceiling, minimum 2.5 m above the floor.
Hose reel fitted with 2 pcs. screw on firm ground.





100% PUR
(soft Ester)



-20°C - +60°C



< 15 m



Steel housing hose reel

Features & Benefits

- All mechanical parts made in metal
 - suitable for very tough environments
- Ultra-lightweight & soft PU braided hose
 - Comfortable handling even at very low temperatures
- Ø 8x12mm / 15 m or Ø10x14 mm / 12 m
 - true rollable working length
 - Store the hose completely back to the reel
- Full-flow axle design
 - Well suitable for tools up to 10 l/sec
- Revolving hinge with 200° rotation
 - Easy to reach your application accurately

Optional Accessories

- High-flow Coupling / Plug
 - 1/4" or 3/8" ball-bearing swivel fittings

Special versions on request

- For areas with low temperatures down to -30°C
 - fitted with Ultrasoft Ether based PU braided hose



All parts in quality steel or aluminium for maximum resistibility

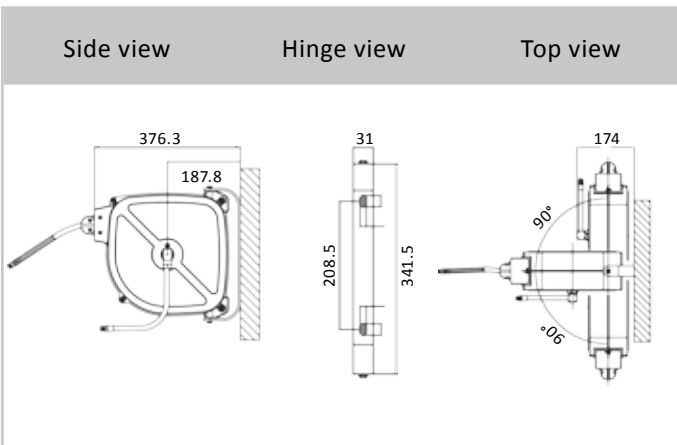


Adjust the spring return power easily from outside to your demand

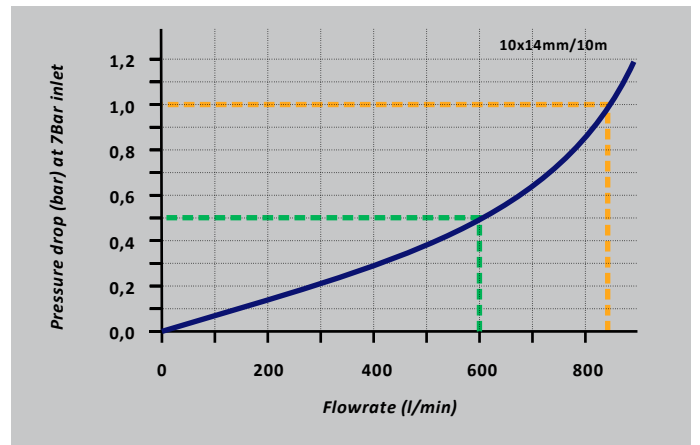


Coaxial center swivel for easy service and optimized flow

Dimensions



Airflow chart



Installation tip for 320 Hose reel

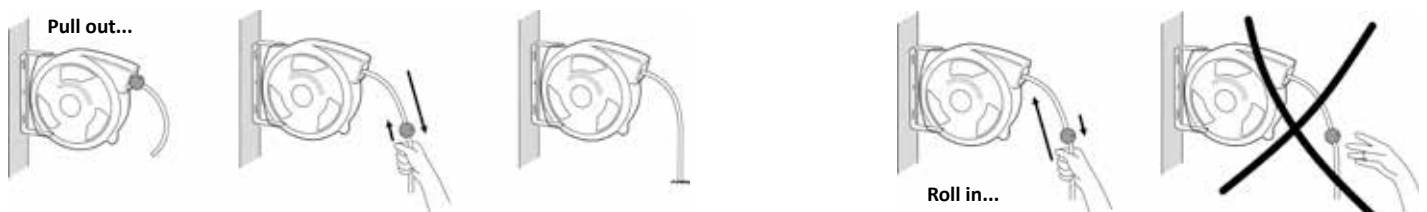
Hose reel to be mounted on a wall, pillar or ceiling, minimum 2.5 m above the floor.
 Hose reel fitted with 2 pcs. screw on firm ground.

PORTABLE REEL SERIES 320 - Versions and technical data

Version	Hose Length	Hose ø mm	Lead Hose	Hose Material	Temperature & Pressure	Thread In/Out	Weight	Part Number
320 15m	15 m (50 ft)	8 x 12 (5/16")	1,5 m (5 ft)	Ester-PUR (100%)	- 20°C to +60°C 20 bar (290 psi)	1/4" - 1/4" BSPT	9.8 kg (21.6 lbs)	320.2000
320 12m	12 m (40 ft)	10 x 14 (3/8")	1.5 m (5 ft)	Ester-PUR (100%)	- 20°C to +60°C 20 bar (290 psi)	1/4" - 1/4" BSPT	9.8 kg (21.6 lbs)	320.1000

Usage tip

Pull out the hose to the desired length and let the hose roll back slowly to lock into position.
 When the hose needs to be rolled back in, release the lock function, first by pulling out and then roll the hose slowly into the house.
WARNING! To avoid harm to people, hose reel or surroundings, do **never** let go of the hose while you roll it back into the house.
 If the hose is pulled out, release the lock function by an extra pull before the hose is rolled in slowly.





< 1500 l/min
(25 l/ sec)



PUR, PVC
or Rubber



-30°C - +70°C



< 20 m



Open Steel Reel 334 & 335

Features & Benefits

Open reel design in all steel and stainless steel axle (AISI 304)
- suitable for tough environments

Ultra-lightweight Ester based PU (100%) braided hose
- for industrial environments

Ultrasoft Ether based PU (100%) braided hose
- for areas with low temperatures down to -30°C

High-Grade, Heavy Duty rubber hose
- for grinding or other spatter environments

Full-flow swivel / axle design with PU Ether gasket
- Well suitable for tools up to 25 l/sec!

Up to 20 meters true rollable working length

Optional Accessories

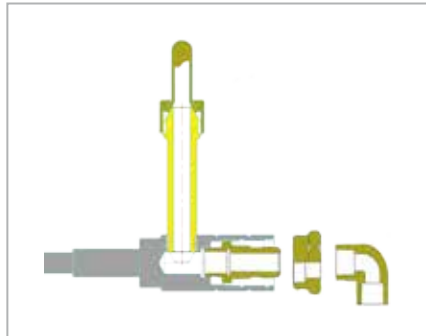
Flex-Assy lead hose up to 3 meters
Heavy-Duty revolving hinge with 170° rotation
High-flow Coupling / Plug
Different Safety Couplings
Revolving hinge
- Easy to reach your application accurately

Special versions on request

Other colors or qualities of hoses



Quick detachable and refittable main hose for easy maintainability

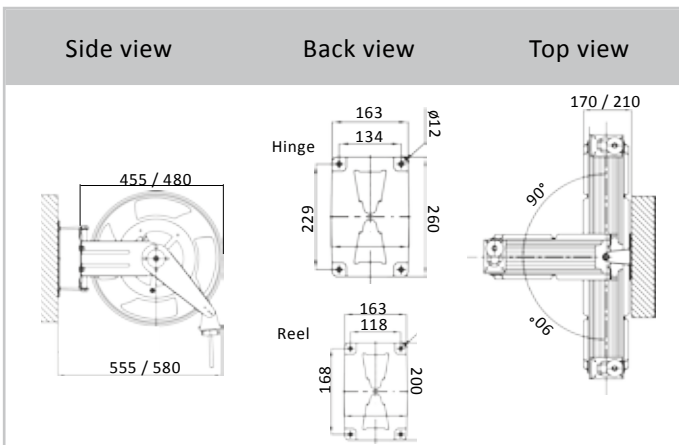


Brass Full-Flow swivel and Stainless Steel shaft

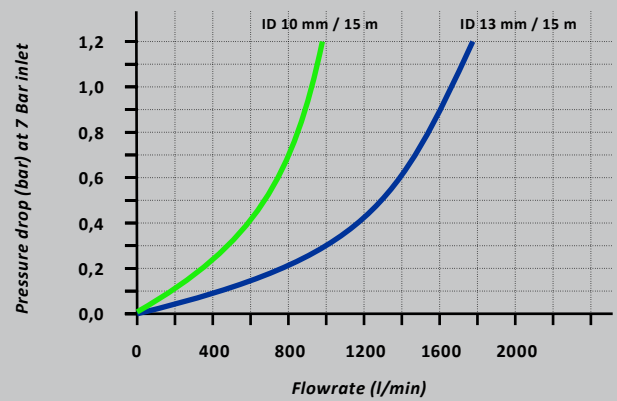


Optional heavy-duty revolving hinge Part no. 395.1065

Dimensions 334 / 335



Airflow chart



OPEN REEL SERIES 334 & 335 - Standard versions and technical data

	Hose Length	Hose ϕ mm	Lead Hose	Hose Material	Temperature & Pressure	Thread In/Out	Weight	Part Number
334 PU		10 x 14 mm (3/8")		Ester-PUR (100%)	- 20°C to +60°C 20 bar (290 psi)		11.5 kg (25.4 lbs)	334.1000
334 Polar	15 m (49 ft)	10 x 14 mm (3/8")	(on request)	Ether-PUR (100%)	- 30°C to +60°C 20 bar (290 psi)	3/8"-3/8" BSP	11.5 kg (25.4 lbs)	334.1200
334 Rubtech		10 x 17 mm (3/8")		Rubber SBR (100%)	- 30°C to +70°C 16 bar (232 psi)		13.4 kg (29.5 lbs)	334.1100
334 no Hose	Max 18 m (60 ft)	10/13/16 mm (3/8-1/2-5/8)			- 30°C to +70°C 20 bar (290 psi)	3/8" - 3/8" BSP	10.1 kg (22.2 lbs)	334.7000*
335 PU		13 x 18 mm (1/2")		Ester-PUR (100%)	- 20°C to +60°C 20 bar (290 psi)		12 kg (26.5 lbs)	335.1000
335 Polar	15 m (49 ft)	13 x 18 mm (1/2")	(on request)	Ether-PUR (100%)	- 30°C to +60°C 20 bar (290 psi)	3/8"-3/8" BSP	12 kg (26.5 lbs)	335.1200
335 RubTech		13 x 20 mm (1/2")		Rubber SBR (100%)	- 30°C to +70°C 16 bar (232 psi)		13.9 kg (30.6 lbs)	335.1100
335 RubTech	20 m (64 ft)	10 x 17 mm (3/8")		Rubber SBR (100%)	- 30°C to +70°C 16 bar (232 psi)		10.6 kg (23.4 lbs)	335.1103
335 no Hose	Max 20 m (66 ft)	10/13/16 mm (3/8-1/2-5/8)				3/8" - 3/8" BSP		335.7000*

Installation tip for Hose reel

Hose reel to be mounted on a wall, pillar or ceiling, minimum 2.5 m above the floor.
Hose reel fitted with 4 pcs. screw on firm ground. See page 5.

*add hose barb dimension ϕ 10/14/16mm



Rubber



-30°C - +70°C



< 20 m



LARGE Open Stainless Steel Reel AISI 316

Features & Benefits

Open reel design in all stainless steel AISI 316

- suitable for extreme tough environments

Rubtech rubber SBR braided hose

- for industrial environments

High-Grade, Heavy Duty rubber hose

- for grinding or other spatter environments

High pressure swivel / axle design with PU Ether gasket

- Well suitable for pressure up to 180 bar!

Up to 18 meters true rollable working length

Optional Accessories

Flex-Assy lead hose up to 3 meters

Heavy-Duty revolving hinge with 170° rotation

High-flow Coupling / Plug

Different thread fittings

Special versions on request

For areas with low temperatures down to -30°C

- fitted with Ultrasoft Ether based PU braided hose



Stainless Steel Hose barb for main hose \varnothing 10mm or 13mm

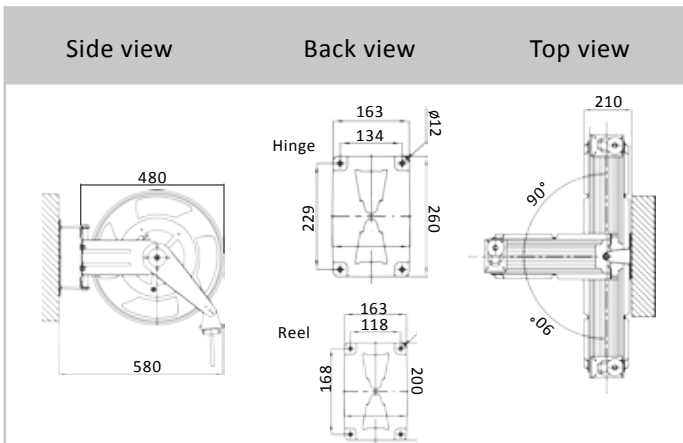


Stainless Steel swivel with female 3/8 BSP

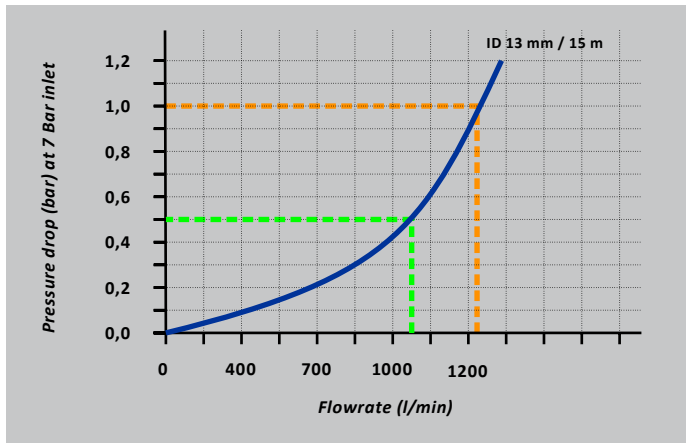


Optional heavy-duty revolving hinge Part no. 395.6065

Dimensions



Airflow chart



OPEN STAINLESS STEEL REEL SERIES 335 - Standard versions and technical data

	Hose Length	Hose \varnothing mm	Lead Hose	Hose Material	Temperature & Pressure	Thread In/Out	Weight	Part Number
Standard Rubber	20 m (64 ft)	10 x 18 mm (3/8")	(option)	Rubtech (SBR 100%)	- 30°C to +70°C 16 bar (232 psi)	3/8"-3/8" BSP	13,9 kg (30.6 lbs)	335.6103
Standard Rubber	15 m (49 ft)	13 x 20 mm (1/2")	(option)		- 30°C to +70°C 20 bar (290 psi)	3/8"-3/8" BSP	13.9 kg (30.6 lbs)	335.6100
Reel w/o hose	Max 20 m (64 ft)	10/13 (3/8"-1/2")		w/o hose	up to +150 °C 200 bar	3/8" - 3/8" BSP	10.6 kg (23.4 lbs)	335.6000

Hose Reels IN SAFETY EXECUTION*

*Makes any application conform with world wide directives on the issue "working safety", Working Safety, Corporate Manslaughter Act, Commonwealth workplace Health and Safety Act (WHS), ISO 4414, OHSAS 18002, OSHA, MSHA

Blown Away: How compressed air risks lives

Compressed air is one of the most important forms of energy used in the industry today. It's use is widespread as with many things that are in plain sight. The risks of compressed air injuring people and damaging plant are often grossly underestimated. Compressed air is not „just air“. It's a focused stream of air driven at high velocity, that can cause serious injury or even death to its operator or persons in the immediate area. So knowing your responsibilities to mitigate these risks are essential.

Risk Assessment

Working accidents and illness at work costs money and ruins lives.

Good health and safety is good business - and it is a law !

Don't take risks !

Ignorance of the law is no excuse! Act now!



PUR, PVC
or Rubber



-30°C - +70°C



< 20 m



Open Safety Hose Reel 334 and 335

Hose reel with integrated Air fuse mounted directly onto the reel

Features & Benefits

Open reel design in all steel and stainless steel/brass axle suitable for tough environment.

Full-Flow Ultra-lightweight PU braided hose for industrial environments.

High-Grade, Heavy Duty rubber hose for grinding or other spatter environments.

Full-flow axle design well suitable for tools up to 25 l/sec!

Optional:

Revolving hinge with 170° rotation, easy to reach your application accurately.

Safety coupling that vents out the pressure before it disconnect, different models available.



Air Fuse assembled into the hose reel and adjusted plus checked on each unit



Stop Ball	Ball Ø ID	Hose Ø OD	Ball Ø OD	Ball Length	Weight	Part Number
Compound 2-Halves	9.5 mm	9.7 - 10 mm				395.1060
	11.5 mm	11.7 - 12 mm	45mm	40 mm	20 gr	395.1063
	13.5 mm	13.7- 15 mm				395.1109



Stop Ball	Ball Ø ID	Hose Ø OD	Ball Ø OD	Ball Length	Weight	Part Number
Rubber 2-Halves	12 mm	12.5 - 13 mm				395.1089
	13 mm	13.5 - 14 mm				395.1087
	15.8 mm	16 - 17 mm	65mm	50 mm	185 gr	395.1088
	17.4 mm	17.8 - 18 mm				395.1090
	19 mm	19,5 - 20.5 mm				395.1091

assembled to
hose reel

Quick Couplings	Standard	Safety 2 Push	Safety Swing	Safety Push/Pull
interchangeable with different series				

TIPS for Hose & Cable reels:

- Cable should always be fully retracted when not in service to maximize spring life and avoid tripping!
- Never use hoses or cables that are damaged !
- Clean the hose or cable now and then for carefree retraction
- Clean and lubricate the hose guide mechanism for longer service life
- When operating the Cable reel at max. power, the cable should be fully unwound from the cable drum!
- The hose reel should be on a minimum height of 2.5 meter above the floor to minimize piling up of the hose



2'300W / 10A
3'000W / 13A



Rubber
H07RN-F



-20°C - +60°C



6 m
15 m



High power cable reel 3x 1,5 mm²

Features & Benefits

230VAC - 2.300 or 3.000 Watt power capacity

Outside reachable Thermo-Fuse

Red LED Power indicator

Rubber / Neoprene cable H07RN-F

- Comfortable handling even at very low temperatures

6 meters or 15 meters true rollable working length

- Store the hose completely back to the reel

Revolving hinge with 200° rotation

- Easy to reach your application accurately

Optional Accessories

Triple exit connector

Special versions on request

Fitted with other plug systems



Steel hinge and shock-resistant Polypropylene for best durability



Different plug systems moulded with cable

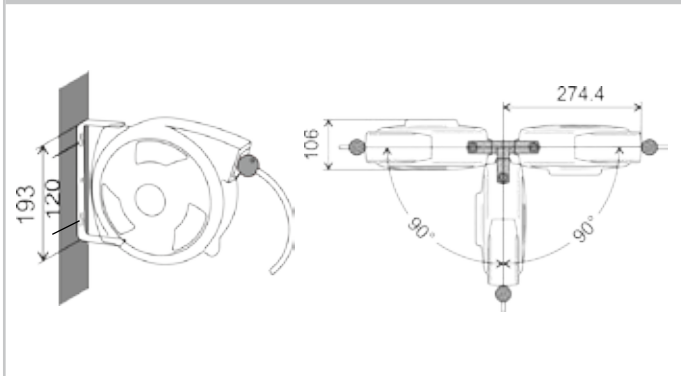


Outside reachable Thermo-Fuse and „Power-On“ LED-indicator

Dimensions 360

Angular view

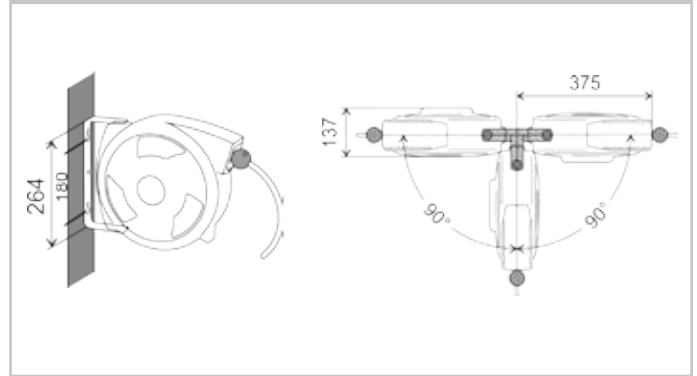
Top view



Dimensions 362

Angular view

Top view



ELECTRIC CABLE REEL SERIES 360 / 362 - Versions and technical data

	Cable Material	Cable leads	Cable Length	Lead Cable	Temperature & Power	Plugs	IP	Weight	Part Number
360 version EU	Rubber / Neoprene H07RN-F	3 x 1.5 mm ²	6 m (20 ft)	1 m (3 ft)	- 30°C to +60°C 1000 / 2300 W	Schuco F / M	40	4 kg (8.8 lbs)	360.1000
362 version EU	Rubber / Neoprene H07RN-F	3 x 1.5 mm ²	15 m (50 ft)	1 m (3 ft)	- 30°C to +60°C 1000 / 3000 W	Schuco F / M	42	6.85 kg (15 lbs)	362.1000



3200W / 16A



Rubber



-20°C - +60°C



20 m



Large Power cable reel 3x 2,5 mm²

Features & Benefits

230VAC - 3.200 Watt power capacity

IP 44 environment tested

Red LED Power indicator

Rubber / Neoprene cable H07RN-F

- Comfortable handling at very low temperatures

20 meters true rollable working length

- Store the hose completely back to the reel

Revolving hinge with 200° rotation

- Easy to reach your application accurately

Optional Accessories

Triple exit connector

Special versions on request

Fitted with other plug systems



Outside reachable Thermo-Fuse and „Power-On“ LED-indicator



Hose guide mechanism to protect against hose to pilling up

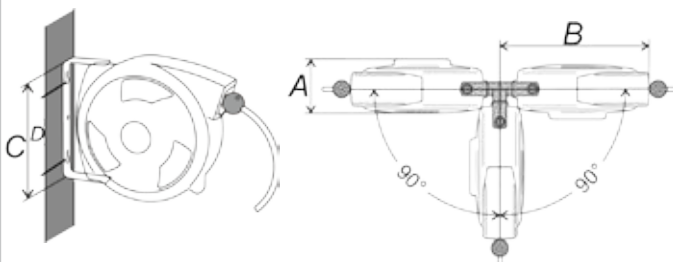


Steel hinge and shock-resistant Polypropylene for best durability

Dimensions

Angular view

Top view



A: 195 B: 420 C: 350 D: 185 (mm)

Rules for all Cable Reels:

When operate with max. power should cable be fully unwound from the cable drum!

Never use cable that are damaged!

Cable should be fully retracted when not in service to maximize spring life!

ELECTRIC CABLE REEL SERIES 363 - Versions and technical data

	Cable Material	Cable leads	Cable Length	Lead Cable	Temperature & Power	Plugs	IP	Weight	Part Number
363 version EU	Rubber / Neoprene H07RN-F	3 x 2.5 mm ²	20 m	1 m	- 30°C to +60°C 1600 / 3200 W	Schuco F / M	44	9,5 kg	363.1000



301 PU



< 500 l/min
(8.3 l/sec)



100% PUR
(soft Ester)



-20°C - +60°C



25 m



Lightweight portable reel

Features

Lightweight design

Ultraflexible 100% PU braided hose 9,5 x 13 mm (3/8")
for standard tools

For areas down to -20° C

Wide stand base with rubber buffers

Twice the airflow of comparable handreels

Wall mount adapter included

Customer benefits

Easy lifting around and no gadgets that fail quickly

Best handling for 25 meters length

Winter & summer outdoor proof

Firm stand even on sloping surfaces

High productivity also with large nailers

Quick detachable system for service trucks

Applications

In- and outdoor for carpenters
use of nailers and staplers.



Wall detach system for service car placement



Kink protection to ensure full-flow at any time



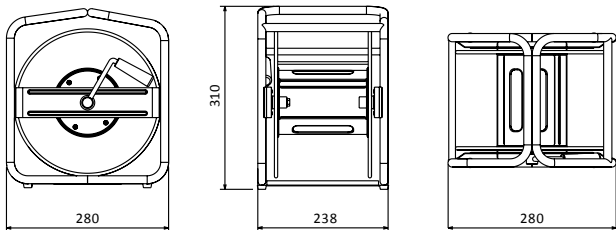
Ball-bearing swivel for best ergonomics

Dimensions

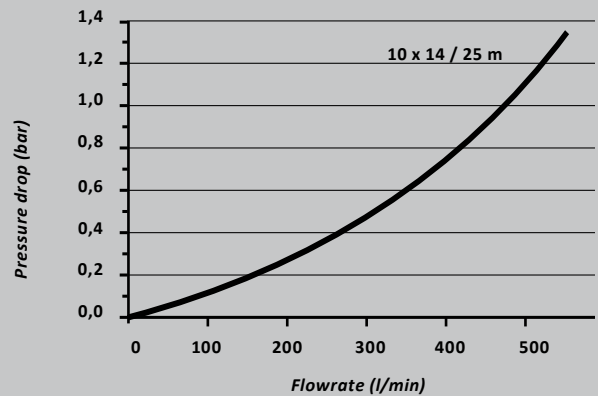
Side view

Front view

Top view



Airflow chart



PORTABLE REEL SERIES 301 - Versions and technical data

	Hose Length	Hose \varnothing mm	Lead Hose	Hose Material	Temperature & Pressure	Thread In/Out	Weight	Part Number
301 PU	25 m (82 ft)	9.5 x 13 (3/8")	1.5 m (5 ft)	Ester-PUR (100%)	- 20°C to +60°C 16 bar (232 psi)	1/4" BSPP Outlet w/swivel	5.95 kg (15 lbs)	301.1000



l/ sec



100% PUR



-20°C - +60°C



2/4/6/8 m

Ergonomical Polyurethane recoil hose

Features

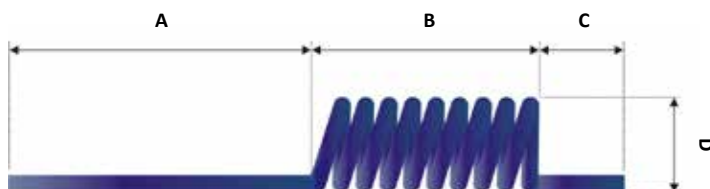
- Straight ends of 150 mm / 500 mm
- Top quality PUR raw material 98 Shore A
- Compact coiling without kinks at transitions
- Optional high-flow fittings with / without ball bearing swivel function, with plastic spring guard and all with BSPP direct seal system NPT swivels available too

Technical data

- Tubing material: Polyurethane (100% PUR)
- Hardness: Shore A 98 ± 2
- Standard color: Dark blue
- Optional colors: Red, Black and others
- Working pressure: 8 bar (at 23°C)
- Burst pressure: 25 bar (at 23°C)
- Temperature range: -20°C ~ + 60°C

Customer benefits


- Best ergonomics and handling with tools
- Outstanding spiral power & memory over lifetime
- Visible „industrial“ quality
- Best airflow and perfect function for all connections, including direct fit to tools or couplings/plugs



Hose ID (mm)	Hose OD (mm)	Working length (m) (mm)	A (mm)	B (mm)	C (mm)	D (mm)
5.0	8.0	2	500	160	150	42
5.0	8.0	3	500	240	150	42
5.0	8.0	4	500	320	150	42
5.0	8.0	6	500	470	150	42
5.0	8.0	8	500	620	150	42
6.5	10.0	2	500	165	150	55
6.5	10.0	4	500	330	150	55
6.5	10.0	6	500	490	150	55
6.5	10.0	8	500	650	150	55
8.0	12.0	2	500	130	150	70
8.0	12.0	4	500	270	150	70
8.0	12.0	6	500	435	150	70
8.0	12.0	8	500	600	150	70
11.0	16.0	2	500	135	150	98
11.0	16.0	4	500	260	150	98
11.0	16.0	6	500	390	150	98
11.0	16.0	8	500	550	150	98


ULTRAFLEX PUR SPIRAL HOSE SETS WITH PLASTIC THREAD ADAPTERS

(Threads BSPP all with O-Ring auto-seal system, swivel versions with ball-bearing)


FITTINGS Plastic Guard	Hose ID x OD mm	Work Length m	Long Tail	Short Tail	Part Number
 <p>150.7004 XL Pressed fittings</p>	5 x 8	2	Swivel 1/4" BSPP	Rigid 1/4" BSPP	150.2201
		3	Swivel 1/4" BSPP	Rigid 1/4" BSPP	150.2301
		4	Swivel 1/4" BSPP	Rigid 1/4" BSPP	150.2401
		6	Swivel 1/4" BSPP	Rigid 1/4" BSPP	150.2601
		8	Swivel 1/4" BSPP	Rigid 1/4" BSPP	150.2801
	6.5 x 10	2	Swivel 1/4" BSPP	Rigid 1/4" BSPP	150.3201
		4	Swivel 1/4" BSPP	Rigid 1/4" BSPP	150.3401
		6	Swivel 1/4" BSPP	Rigid 1/4" BSPP	150.3601
		8	Swivel 1/4" BSPP	Rigid 1/4" BSPP	150.3801
	8 x 12	2	Swivel 1/4" BSPP	Rigid 1/4" BSPP	150.4201
		2	Swivel 3/8" BSPP	Rigid 3/8" BSPP	150.4202
		4	Swivel 1/4" BSPP	Rigid 1/4" BSPP	150.4401
		4	Swivel 3/8" BSPP	Rigid 3/8" BSPP	150.4402
		6	Swivel 1/4" BSPP	Rigid 1/4" BSPP	150.4601
		6	Swivel 3/8" BSPP	Rigid 3/8" BSPP	150.4602
		8	Swivel 1/4" BSPP	Rigid 1/4" BSPP	150.4801
		8	Swivel 3/8" BSPP	Rigid 3/8" BSPP	150.4802
	11 x 16	2	Rigid 3/8" BSPP	Rigid 3/8" BSPP	150.6203
		4	Rigid 3/8" BSPP	Rigid 3/8" BSPP	150.6403
		6	Rigid 3/8" BSPP	Rigid 3/8" BSPP	150.6603
8		Rigid 3/8" BSPP	Rigid 3/8" BSPP	150.6803	
13 x 19	10	Rigid 3/8" BSPP	Rigid 3/8" BSPP	150.7004	

ULTRAFLEX PUR SPIRAL HOSE SETS WITH STEEL THREAD ADAPTERS

(Threads BSPP all with O-Ring auto-seal system and swivel function)

FITTINGS + Steel Guard	Hose ID x OD mm	Work Length m	Long Tail	Short Tail	Part Number
	5 x 8	2	Swivel 1/4" BSPP	Swivel 1/4" BSPP	150.2211
		3	Swivel 1/4" BSPP	Swivel 1/4" BSPP	150.2311
		4	Swivel 1/4" BSPP	Swivel 1/4" BSPP	150.2411
		6	Swivel 1/4" BSPP	Swivel 1/4" BSPP	150.2611
		8	Swivel 1/4" BSPP	Swivel 1/4" BSPP	150.2811
	6.5 x 10	2	Swivel 1/4" BSPP	Swivel 1/4" BSPP	150.3211
		4	Swivel 1/4" BSPP	Swivel 1/4" BSPP	150.3411
		6	Swivel 1/4" BSPP	Swivel 1/4" BSPP	150.3611
		8	Swivel 1/4" BSPP	Swivel 1/4" BSPP	150.3811
	8 x 12	2	Swivel 3/8" BSPP	Swivel 3/8" BSPP	150.4212
		4	Swivel 3/8" BSPP	Swivel 3/8" BSPP	150.4412
		6	Swivel 3/8" BSPP	Swivel 3/8" BSPP	150.4612
8		Swivel 3/8" BSPP	Swivel 3/8" BSPP	150.4812	

ULTRAFLEX PUR SPIRAL HOSE SETS WITH HIGH-FLOW COUPLINGS

COUPLINGS Plastic Guard	Hose ID x OD mm	Work length m	Long Tail	Short Tail	Part Number
	6.5 x 10	2	250 Coupling	Steel plug Eur-std	150.3205
		4	250 Coupling	Steel plug Eur-std	150.3405
		6	250 Coupling	Steel plug Eur-std	150.3605
		8	250 Coupling	Steel plug Eur-std	150.3805
	8 x 12	2	250 Coupling	Steel plug Eur-std	150.4205
		4	250 Coupling	Steel plug Eur-std	150.4405
		6	250 Coupling	Steel plug Eur-std	150.4605
		8	250 Coupling	Steel plug Eur-std	150.4805



100% PUR



-20°C - +60°C



10 - 100 m

The most flexible braided Polyurethane hose

Features

Ultra lightweight and great flexibility

Top quality PUR raw material 85 Shore A

Superior abrasion resistance and unkinkable

Optional high-flow fittings with / without ball bearing swivel function, with plastic spring guard and all with BSPP direct seal system

Customer benefits

Best ergonomics and handling with tools

Long lifetime and flexibility for cold areas

Outstanding tensibility & tear strength

Best airflow and perfect function for all connections, including direct fit to tools or couplings/plugs

Technical data

Tubing material: Polyurethane Ester (100% PUR)

Hardness: Shore A 75/85 ± 2

Standard color: Dark blue

Optional colors: Red, Black and others

Working pressure: 20 bar (at 23°C)

Burst pressure: > 60 bar (at 23°C)

Temperature range: -20°C ~ + 60°C

ULTRAFLEX II POLYURETHANE BRAIDED HOSE Versions and technical data					
Hose ID (mm)	Hose OD (mm)	Total Length per Roll* (m)	Weight per Meter (g)	Total Weight per Roll (kg)	Part Number
6.5	10.0	10	54	0.54	120.2100
6.5	10.0	25	54	1.35	120.2250
6.5	10.0	50	54	2.70	120.2500
6.5	10.0	100	54	5.40	120.2000
8.0	12.0	10	73	0.73	120.3100
8.0	12.0	15	73	1.10	120.3150
8.0	12.0	20	73	1.46	120.3200
8.0	12.0	25	73	1.83	120.3250
8.0	12.0	50	73	3.65	120.3500
8.0	12.0	100	73	7.30	120.3000
10	14.0	10	73	0.73	120.5100
10	14.0	15	73	1.10	120.5150
10	14.0	20	73	1.46	120.5200
10	14.0	25	73	1.83	120.5250
10	14.0	50	73	3.65	120.5500
10	14.0	100	73	7.30	120.5000
13.0	18.0	10	139	1.39	120.7100
13.0	18.0	15	139	2.09	120.7150
13.0	18.0	25	139	3.48	120.7250
13.0	18.0	50	139	6.95	120.7500
13.0	18.0	100	139	13.90	120.7000

(* Sold in precut lengths as specified on the length column above)

ULTRAFLEX PLOYURETHANE BRAIDED HOSE SETS
Versions and technical data



Hose ID x OD (mm)	Work Length (m)	with rigid hose barb	Part Number	plastic guard with rigid and swivelling connection*	Part Number
6.5 x 10	10	1/4" BSP	170.2100	Rigid/Swivel 1/4" BSPP	170.2110
8 x 12	10	1/4" BSP	170.3100	Rigid/Swivel 1/4" BSPP	170.3110
	15	1/4" BSP	170.3200	Rigid/Swivel 1/4" BSPP	170.3210
	20	1/4" BSP	170.3300	Rigid/Swivel 1/4" BSPP	170.3310
10 x 14	10	3/8" BSP	170.4101	Rigid 1/4" BSPP	170.4110
	15	3/8" BSP	170.4201	Rigid 1/4" BSPP	170.4210
	20	3/8" BSP	170.4301	Rigid 1/4" BSPP	170.4310

(* Threads BSPP all with O-Ring auto-seal system, swivel versions with ball-bearing)

Hose ID x OD (mm)	Work Length (m)	with press coupling/plug	Part Number	plastic guard with rigid and swivelling coupling*	Part Number
6.5 x 10	10	250 / Eur-std	170.2105	250 / Eur-std	170.2115
8 x 12	10	250 / Eur-std	170.3105	250 / Eur-std	170.3115
	15	250 / Eur-std	170.3205	250 / Eur-std	170.3215
	20	250 / Eur-std	170.3305	250 / Eur-std	170.3315
10 x 14	10	250 / Eur-std	170.4105	250 / Eur-std	170.4115
	15	250 / Eur-std	170.4205	250 / Eur-std	170.4215
	20	250 / Eur-std	170.4305	250 / Eur-std	170.4315



100% PUR



-30°C - +60°C



10 - 100 m

ULTRAFLEX POLAR - The most flexible braided PU hose

Features

Ultra lightweight and great flexibility and water resistant

Top quality ETHER raw material 80 Shore A

Superior abrasion resistance and unbreakable

Optional high-flow fittings with / without ball bearing swivel function, with plastic spring guard and all with BSPP direct seal system

Customer benefits

Best ergonomics and handling with tools

Long lifetime and flexibility for cold areas

Outstanding tensibility & tear strength



Best airflow and perfect function for all connections, including direct fit to tools or couplings/plugs


Technical data

Tubing material:	Polyurethane Ether (100% PUR)
Hardness:	Shore A 80 ± 2
Standard color:	Black
Optional colors:	Red, Blue and others
Working pressure:	20 bar (at 23°C)
Burst pressure:	60 bar (at 23°C)
Temperature range:	-30°C - + 60°C

ULTRAFLEX POLAR (ETHER POLYURETHANE) BRAIDED HOSE Versions and technical data			
Hose ID (mm)	Hose OD (mm)	Total Length per Roll* (m)	Part Number
8.0	12.0	100	121.3002
10	14.0	15	121.5152
10	14.0	50	121.5502
10	14.0	100	121.5002
13	18.0	50	121.7502

(* Sold in precut lengths as specified on the length column above)

ULTRAFLEX POLAR BRAIDED HOSE SETS Versions and technical data					
	Hose ID x OD (mm)	Work Length (m)		Connection	Part Number
COUPLINGS w/plastic Guard	8.0 x 12	10		1/4" M thread	171.3100
		10		3/8" M thread	171.3101
		15		1/4" M thread	171.3200
		15		3/8" M thread	171.3201
		20		1/4" M thread	171.3300
		20		3/8" M thread	171.3301
FITTINGS pressed on	10 x 14	10		1/4" M thread	171.5100
		10		3/8" M thread	171.5101
		15		1/4" M thread	171.5200
		15		3/8" M thread	171.5201
		20		1/4" M thread	171.5300
		20		3/8" M thread	171.5301

ULTRAFLEX POLAR BRAIDED HOSE SETS WITH COUPLINGS Versions and technical data					
	Hose ID x OD (mm)	Work Length (m)		Connection*	Part Number
Coupling/Plug pressed on	8.0 x 12	10		Eur-std coupler	171.3105
		15		Eur-std coupler	171.3205
		20		Eur-std coupler	171.3305
	10 x 14	10		Eur-std coupler	171.5105
		15		Eur-std coupler	171.5205
		20		Eur-std coupler	171.5305

(* Other couplings on request)



xx l/ sec



100% SBR



-30°C - +70°C



10 - 100 m

RubTech - a flexible braided Rubber hose

Features

Long lifetime and great flexibility for compressed air and water resistant

Top quality SBR raw material 80 Shore A

Superior abrasion resistance and unkinkable

Optional with pressed on fittings or quick couplings

Customer benefits

Best ergonomics and handling with tools

Long lifetime and flexibility for cold areas

Outstanding tensibility & tear strength

Best airflow and perfect function for all connections, including direct fit to tools or couplings/plugs

Technical data

Tubing material: SBR (100% PUR)

Standard color: Black/Grey

Working pressure: 16 bar (at 23°C)

Burst pressure: 60 bar (at 23°C)


Temperature range: -30°C ~ + 70°C

RUBBER RubTech BRAIDED HOSE
Versions and technical data


Hose ID (mm)	Hose OD (mm)	Total Length per Roll (m)	Part Number
8	15	50	131.2500
10	17	100	131.3000
		50	131.3500
13	20	100	131.4000
		50	131.4500

(Other precut lengths on request)

RUBBER RubTech BRAIDED HOSE SETS
Versions and technical data

	Hose ID x OD (mm)	Work Length (m)		Connection BSP	Part Number
pressed on FITTINGS	10 x 17	10		3/8" M tread	172.5101
		15		3/8" M tread	172.5201
		20		3/8" M tread	172.5301
pressed on FITTINGS	13 x 20	10		1/2" M tread	172.7101
		15		1/2" M tread	172.7201
		20		1/2" M tread	172.7301

RUBBER RubTech BRAIDED HOSE SETS WITH COUPLING/PLUG
Versions and technical data

	Hose ID x OD (mm)	Work Length (m)		Connection	Part Number
pressed on COUPLINGS	10 x 17	10		Eur-std coupler	172.5125
		15		Eur-std coupler	172.5225
		20		Eur-std coupler	172.5305
pressed on COUPLINGS	13 x 20	10		Eur-std coupler	172.7125
		15		Eur-std coupler	172.7225
		20		Eur-std coupler	172.7305

(*Other Coupling/Plug on request)



100% PVC



-25°C - +60°C



10 - 100 m

Ultra Softech braided PVC hose

Features

Very soft and flexibility UV and water resistant high quality PVC raw material.
Hose also meets RoHS requirement and Silicon-free.

Customer benefits

Best ergonomics and handling with tools
Long lifetime and flexibility for cold areas
Outstanding tensibility & tear strength
Best airflow and perfect function for all connections, including direct fit to tools or couplings/plugs

A very Rubber look-a-like hose.
Optional high-flow fittings with / without ball bearing, with plastic spring guard and all with BSPP direct seal system.

Technical data

Tubing material: PVC (100%)
Standard color: Medium blue
Working pressure: 20 bar (at 23°C)
Burst pressure: 60 bar (at 23°C)
Temperature range: -25°C ~ + 60°C

SofTech PVC BRAIDED HOSES & SETS Versions and technical data

Hose ID (mm)	Hose OD (mm)	Total Length per Roll* (m)	Packaging	Total Weight per Roll (kg)	Part Number
10	15.0	50	wrapping	7,25	126.8500

(Sold in other lengths on request)

FITTINGS w/pressed on	Hose ID x OD (mm)	Work Length (m)	Connection*	Part Number
Female thread	10 x 15 mm	10	3/8" M thread	176.5100
		15	3/8" M thread	176.5200
		20	3/8" M thread	176.5300
Quick coupling /Plug	10 x 15 mm	10	Eur-std coupler	176.5105
		15	Eur-std coupler	176.5205
		20	Eur-std coupler	176.5305

(*Other Coupling/Plug on request)



Assembly, Production and Warehouse in Sweden



Steiner A/S was founded in 1998 as a subcontractor, supplying custom made pneumatic hoses and accessories for tool manufacturers and large distributors in Europe.

In December 2014 production and warehouse was moved to Steiner Production AB in Kungälv, Sweden. September 2019 was Steiner Production merged with Unoflow AB, Kungälv, which is a sister company.

Private labelling/custom made manufacturing is a dominant part of our business where we mainly serve industrial- and automotive distributors within Europe.

Over the years we have expanded our product line and today we offer our customers a wide range of pneumatic air line accessories.

With our knowledge we provide our customers with innovative and highest quality solutions that offer genuine and perceptible benefits. We are committed to provide professional technical support and products in close collaboration with our customers.

Our goal is to expand our position by always being one step ahead of other players in the industry and create highest efficiency products for the pneumatic field.

We welcome your inquiry and will do our best to fulfill your specific needs and requirements.

Unoflow Production

unoflow[®]

Produced by:
UNOFLOW AB
Bultgatan 30
44240 Kungälv
Sweden



Phone:

E-mail:

Homepage:



+ 46 303 937 25

info@unoflow.se

www.unoflow.se



PREMIUM SERIES

GUARANTEE

We work hard to provide you with defect-free products. However, where work is done errors happen. We therefore do our best to support you with all our efforts in case of a product defect.

Warranty:

Steiner Production AB warrants its products to be free from defects in materials and workmanship. We will repair or replace any product or part which is found to be defective under normal use and service. We provide 2 Years warranty, but 5 Years warranty on our **Premium** hose reels series.

Limitation in Warranty:

This warranty does not include normal maintenance and services and does not apply to hose (and other wear and tear parts) as well as any products or parts which have been subject to modification, misuse, negligence, accident and improper repair.