

								Running duty type <b>S1</b>
1	2	65 - 2.56	58 - 2.28	384,7 - 23.48	1/1	2,5 - 498	4	

	bar 10 psi 145
	l/min 500 cfm 17.7
	r.p.m 1300
	dB - (A) 78

## TECHNICAL DATA

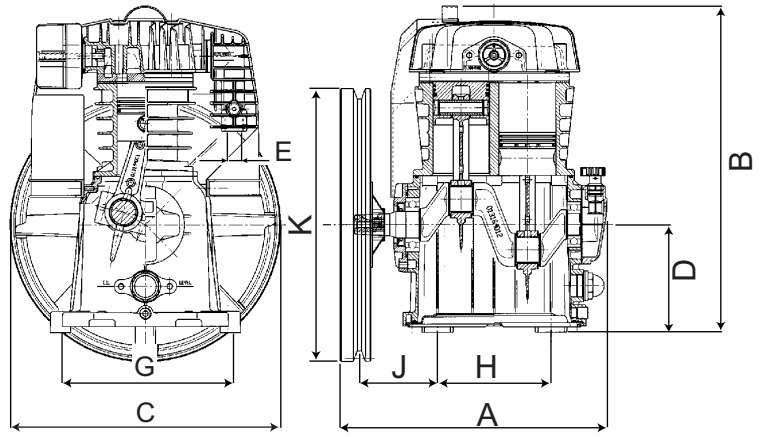
With ambient temperature +5°C /+40°C

# MK 113

# 4,0hp

## WEIGHT AND DIMENSIONS

	Kg. 14 Lb. 31.1		l 0,9 gal. 0.23
	Kg. 15,3 Lb. 34		l 0,22 gal. 0.06
	1 - A		g/h 1,2 oz/h 0.04



A	mm 305 inch 12	C	mm 312 inch 12.3	E	bps R 1/2" npt ----	H	mm 130 inch 5.1	K	mm 305 inch 12
B	mm 374 inch 14.2	D	mm 123 inch 4.8	G	mm 190 inch 7.5	J	mm 90 inch 3.5		

## TIGHTENING TORQUE

N° - No	(Nm)
1	6,5
2	26
3	28
4	27
5	12
6	8

