

 n° - no.	 n° - no.	 mm - inchs	 mm - inchs	 cm³ - cu.in	 x/y	 m/s - fpm	 HP	Running duty type S1
1	2	65 - 2.56	40 - 1.57	265,3 - 16.19	1/1	1,89 - 373	3	

 bar - psi	bar 10 psi 145
 l/min - cfm	l/min 377 cfm 13.3
 R.P.M	r.p.m 1420
 dB-(A)	dB-(A) 79

TECHNICAL DATA

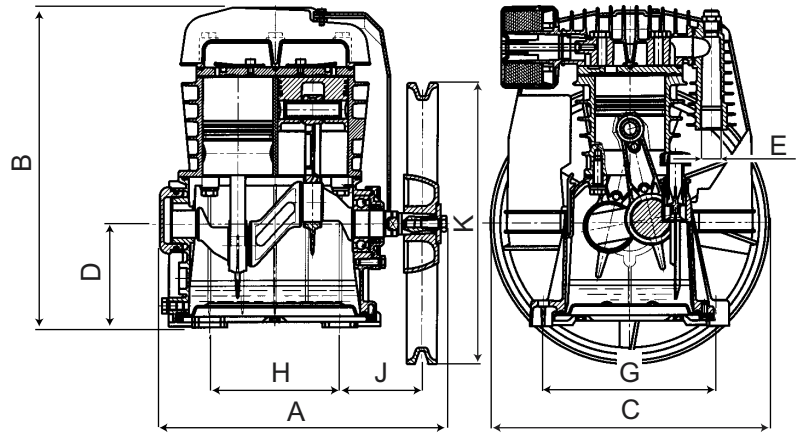
With ambient temperature +5°C /+40°C

MK 103

3,0 hp

WEIGHT AND DIMENSIONS

 Kg - Lb	Kg. 8,3 Lb. 18.3	 liter - gal.	l 0,5 gal. 0.13
 Kg - Lb	Kg. 9,2 Lb. 20.3	 liter - gal.	l 0,1 gal. 0.03
 N° - Type	1 - A	 g/h - oz/h	g/h 0,8 oz/h 0.03



A	mm 264,5 inch 10.4	C	mm 258 inch 10.1	E	bps R 1/2" npt ----	H	mm 120 inch 4.7	K	mm 251,4 inch 9.9
B	mm 293,5 inch 11.5	D	mm 95 inch 3.7	G	mm 160 inch 6.3	J	mm 76 inch 3		

TIGHTENING TORQUE

N° - No	(Nm)
1	6,5
2	24
3	38
4	26
5	12
6	8

