

n° - no.	n° - no.	mm-inchs	mm - inchs	mm - inchs	cm³ - cu.in	cm³ - cu.in	x/y	m/s - fpm	kW - Hp	V/Hz - Amp.	Duty type: S1
2	2	125 - 4.9	65 - 2.5	80 - 3.15	982 - 59.9	265 - 16.2	1/4	2,9 - 567	7.5 - 10	400/50-16	



	Bar 10 Psi 145
	l/min 1080 cfm 38,2
	giri/min. 1100 r.p.m 1100
	dB-A 82

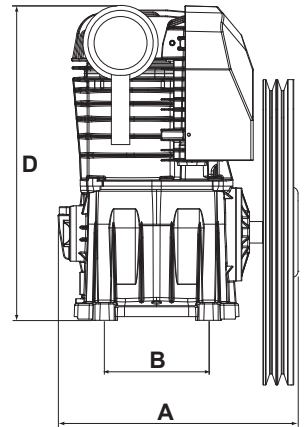
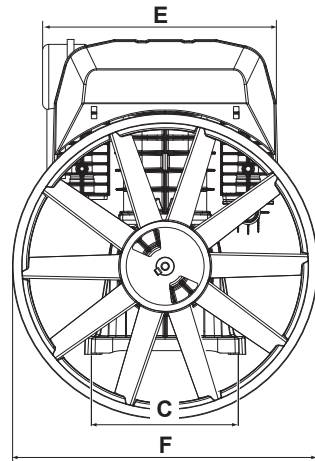
TECHNICAL DATA With ambient temperature +5°C /+40°C

BK120-10hp

WEIGHT AND DIMENSIONS

	Kg. 49 Lbs 107,8		l 1,51 Gal. 0.40		g/h 1,2 oz/h 0.04
	Kg. - Lbs -		l 0,45 Gal. 0.12		n° - tipo 1 - SPB No.-type 1 - SPB

A mm-inch	B mm-inch	C mm-inch	D mm-inch	E mm-inch
403 - 15,9	169 - 6.65	229 - 9	535 - 21	382 - 15.1
F mm - inch	H mm-inch	J mm-inch	K mm-inch	
496 - 19.5	-	-	-	



TIGHTENING TORQUE

n° - no.	Nm
1	45
2	20
3	5,5
4	24
5	45
6	30
7	45

