

										Running duty type S1
2	2	105 - 4.13	52 - 2.05	78 - 3.1	675 - 41.2	165 - 10.1	1/4	2,39 - 476	5,5	

	bar 10 psi 145
	l/min 621 cfm 21.9
	r.p.m 920
	dB-A -

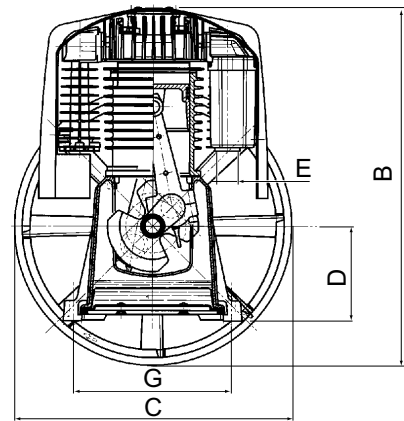
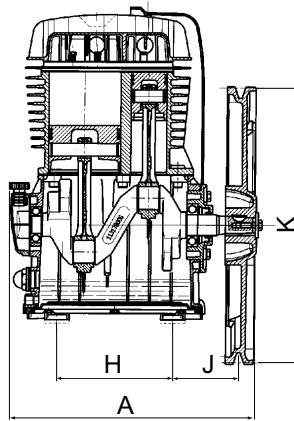
TECHNICAL DATA With ambient temperature +5°C /+40°C

BK119

B -belt 5,5hp

WEIGHT AND DIMENSIONS

	Kg. 26,5 Lb. 58.8		l 1,34 gal. 0,35
	Kg. 27 Lb. 60		l 0,3 gal. 0.09
	1 - B		g/h 1,5 oz/h 0.05



A	mm	inch	C	mm	inch	E	bps	npt	H	mm	inch	K	mm (Øp)	inch (pD)
	356,5	14		402	15.8		R 3/4"			169	6.3		398	14.9
B	mm	inch	D	mm	inch	G	mm	inch	J	mm	inch			
	517,5	20.4		137	5.4		229	9		95,6	3.8			

TIGHTENING TORQUE

N° - No	(Nm)
1	45
2	12
3	6,5
4	20
5	28
6	24

