

										Running duty type S1
2	2	95 - 3.74	52 - 2.05	60 - 2.36	425 - 25.9	127 - 7.74	1 / 3,33	2,74 - 539	5,5	

	bar 10 psi 145
	l/min 582 cfm 20,5
	r.p.m 1370
	dB-A 72

TECHNICAL DATA

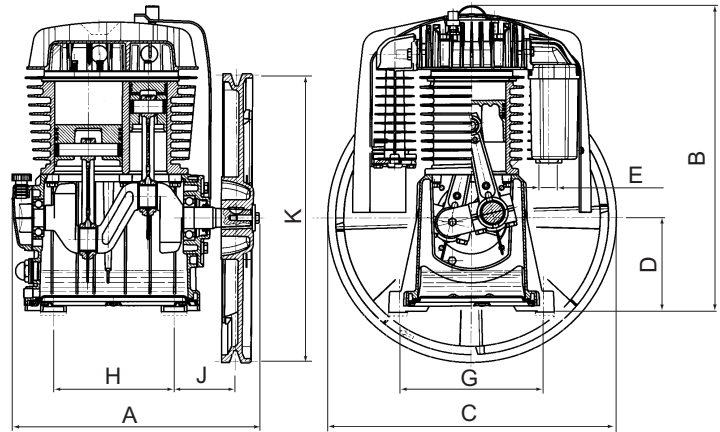
With ambient temperature +5°C /+40°C

BK114

5,5 hp

WEIGHT AND DIMENSIONS

	Kg. 24 Lb. 53.3		l 0,9 gal. 0.24
	Kg. 25,3 Lb. 56.2		l 0,28 gal. 0.074
	1 - SPZ		g/h 2 oz/h 0.71



A mm inch 347 13.6	C mm inch 402 15.8	E bps npt R 3/4"	H mm inch 169 6.6	K mm (Øp) inch (pD) 398 15.7
B mm inch 431 17	D mm inch 130 5.1	G mm inch 200 7.9	J mm inch 84 3.3	

TIGHTENING TORQUE

N° - No	(Nm)
1	45
2	20
3	5,5
4	25
5	28
6	24

