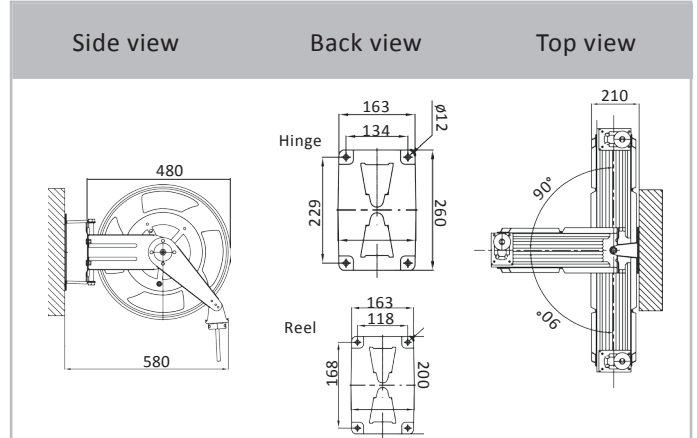




Dimensions 335



Installation tip for Hose reel

Hose reel to be mounted on a wall, pillar or ceiling, minimum 2.5 m above the floor. Hose reel fitted with 4 pcs. screw on firm ground.

Open Steel Reel 335

Features & Benefits

Open reel design in all steel and stainless steel axle (AISI 304)
 - suitable for tough environments

Ultra-lightweight Ester based PU (100%) braided hose
 - for industrial environments

Full-flow swivel / axle design with PU Ether gasket
 - Well suitable for tools up to 25 l/sec!

15 meters true rollable working length

Optional Accessories

- Flex-Assy lead hose up to 3 meters
- Heavy-Duty revolving hinge with 170° rotation
- High-flow Coupling / Plug
- Different Safety Couplings
- Revolving hinge , code 395.1065
- Easy to reach your application accurately



Special versions on request

Other colors or qualities of hoses

OPEN REEL SERIES 335 - Standard versions and technical data

	Hose Length	Hose ϕ mm	Lead Hose	Hose Material	Temperature & Pressure	Thread In/Out	Weight	Part Number
335 PU Polar	15 m	13 x 18 mm	(on request)	Ether-PUR (100%)	- 20°C to +60°C 20 bar (290 psi)	3/8" - 3/8" BSP	12 kg	335.1200