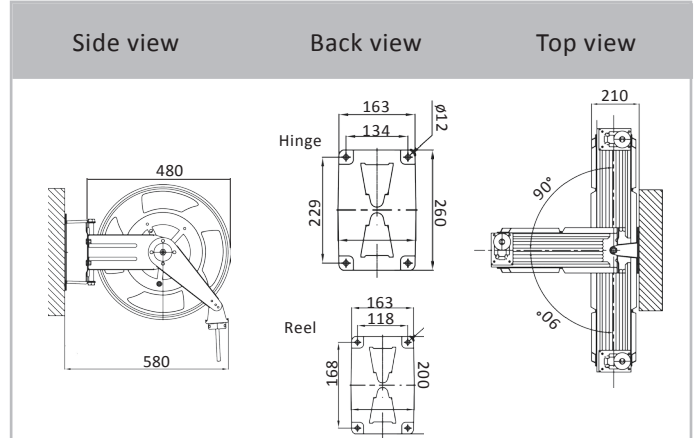




**Dimensions 335**



**Installation tip for Hose reel**

Hose reel to be mounted on a wall, pillar or ceiling, minimum 2.5 m above the floor. Hose reel fitted with 4 pcs. screw on firm ground.

**Open Steel Reel 335**

**Features & Benefits**

Open reel design in all steel and stainless steel axle (AISI 304)

- suitable for tough environments

High-Grade, Heavy Duty rubber SBR hose

- for industrial environments

Full-flow swivel / axle design with PU Ether gasket

- Well suitable for tools up to 25 l/sec!

15 meters true rollable working length

**Optional Accessories**

Flex-Assy lead hose up to 3 meters

Heavy-Duty revolving hinge with 170° rotation

High-flow Coupling / Plug

Different Safety Couplings

Revolving hinge, code 395.1065

- Easy to reach your application accurately



**Special versions on request**

Other colors or qualities of hoses

**OPEN REEL SERIES 335 - Standard versions and technical data**

	Hose Length	Hose $\phi$ mm	Lead Hose	Hose Material	Temperature & Pressure	Thread In/Out	Weight	Part Number
<b>335 RubTech</b>	15 m	13 x 20 mm	(on request)	Rubber-SBR (100%)	- 30°C to +60°C 20 bar (290 psi)	3/8" - 3/8" BSP	13,9 kg	335.1100