



Steel housing hose reel

Features & Benefits

All mechanical parts made in metal
- suitable for very tough environments

Ultra-lightweight & soft PU braided hose
- Comfortable handling even at very low temperatures

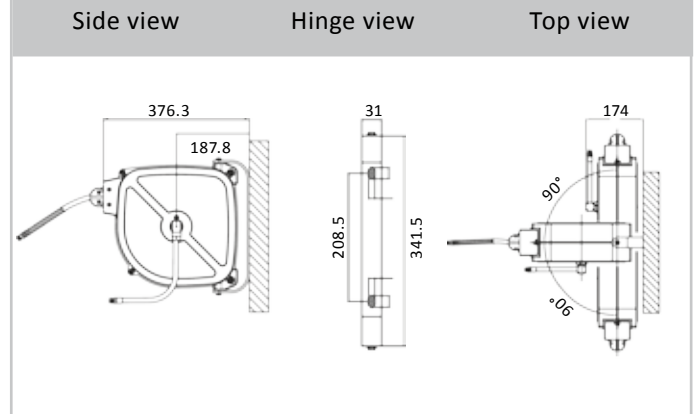
Ø 8x12mm / 15 m true rollable working length
- Store the hose completely back to the reel

Full-flow axle design

Revolving hinge with 200° rotation
- Easy to reach your application accurately

Plastic spring protection and BSPP thread with o-ring sealing

Dimensions



Installation tip for 320 Hose reel

Hose reel to be mounted on a wall, pillar or ceiling, minimum 2.5 m above the floor. Hose reel fitted with 2 pcs. screw on firm ground.

Optional Accessories

High-flow Coupling / Plug
1/4" or 3/8" ball-bearing swivel fittings

Special versions on request

For areas with low temperatures down to -30°C
- fitted with Ultrasoft Ether based PU braided hose



PORTABLE REEL SERIES 320 - Versions and technical data

Version	Hose Length	Hose ø mm	Lead Hose	Hose Material	Temperature & Pressure	Thread In/Out	Weight	Part Number
320 15m	15 m	8 x 12	1,5 m	Ester-PUR (100%)	- 20°C to +60°C 20 bar (290 psi)	1/4" - 1/4" BSPP	9.8 kg	320.2000