



Steel housing hose reel

Features & Benefits

All mechanical parts made in metal
- suitable for very tough environments

Ultra-lightweight & soft PU braided hose
- Comfortable handling even at very low temperatures

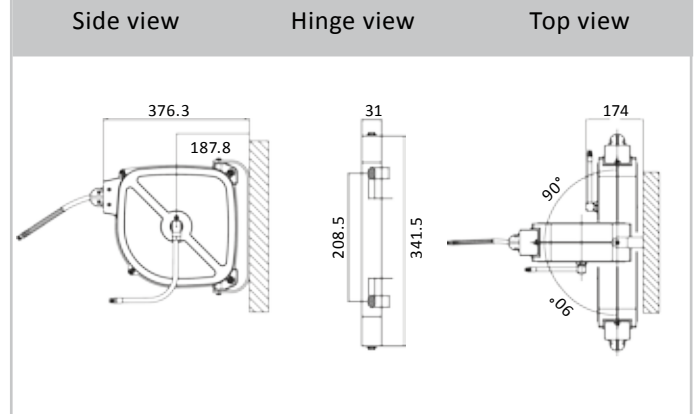
Ø 10x14mm / 12 m true rollable working
length
- Store the hose completely back to the reel

Full-flow axle design

Revolving hinge with 200° rotation
- Easy to reach your application accurately

Plastic spring protection and BSPP thread with o-ring sealing

Dimensions



Installation tip for 320 Hose reel

Hose reel to be mounted on a wall, pillar or ceiling, minimum 2.5 m above the floor. Hose reel fitted with 2 pcs. screw on firm ground.

Optional Accessories

High-flow Coupling / Plug
1/4" or 3/8" ball-bearing swivel fittings

Special versions on request

For areas with low temperatures down to -30°C
- fitted with Ultrasoft Ether based PU braided hose



PORTABLE REEL SERIES 320 - Versions and technical data

| Version | Hose Length | Hose ø mm | Lead Hose | Hose Material | Temperature & Pressure | Thread In/Out | Weight | Part Number |
|----------------|-------------|-----------|-----------|------------------|-------------------------------------|------------------|--------|-------------|
| 320 12m | 15 m | 10 x 14 | 1,5 m | Ester-PUR (100%) | - 20°C to +60°C 20 bar (290 psi) | 1/4" - 1/4" BSPP | 9.8 kg | 320.1000 |