



K-MAX 76 – 08 VS PM

Stationär ljuddämpad skruvkompressor med variabelt varvtal.

- + Direktdrivet skruvblock och permanent magnet motor, effektivt och driftsäkert
- + Kompakt design, lätt placerad och enkel installation
- + Kontrollbox Login med LCD display, möjlighet att ansluta upp till 8 enheter
- + Termostatstyrd centrifugal fläkt, effektiv och tyst kylning
- + Förfilter-panel, ren och dammfri insida för ökad brukstid
- + Spin-On filter för enkel och effektivt underhåll

Art.nr.	Benämning	Volt	kW	l/min	Bar	dBA	Vikt kg	Dim lxbxh cm
100 104 403	K-MAX 76-08VS	400/3	75	2.770/13.700	8	67	2815	230x146x196



Scheda Tecnica Compressore

Compressor Technical Datasheet

Document Nr.
K-MAX 76-08 VS PM_V60FA97FNMG60_2022-09_EN_

Date Creation: 2022-09

Date Rev.: -

Filled by:

R&D

Checked by:

Customer Care

Compressor Model: K-MAX 76-08 VS PM

- V60FA97FNMG60

GENERAL DATA

Nominal input power	kW	75		
	HP	100,0		
Min/Max pressure limits	bar	5 ÷ 7,5		
	psi	73 ÷ 109		
Supply frequency	Hz	50		
Main voltage supply value	V - ph	400 ±5%	-	n.ph 3~
Auxiliary voltage supply value	V - ph	24 ±5%	-	n.ph 1~
Drive type	-	Direct 1:1		
Air-end model	-	FS300		
Electronic controller model	-	LOGIN		
Entire compressor IP grade	-	IP 20		
Ambient Working Temperature	°C	min. +2	-	max. +45

WORKING DATA

Working pressure	bar	7,5		
	psi	109		
Air flow (acc. to ISO 1217 Annex C and Annex E for variable speed compressors)	l/min	2770 / 13700		
	m ³ /min	2,77 / 13,7		
	c.f.m.	98 / 484		
Starting current / Rated current / Dryer current	A	n.a. / 141 / -		
Max final air temperature above ambient	°C	10		
Removed heat	kJ/h	276000		
Sound pressure (acc. to ISO 3744:2010 - ISO 3745:2012-Annex A)	dB(A)	67	± 3 dB(A)	

ELECTRIC MOTOR

Electric motor type & Nominal power (acc. to IEC 60034-1)	kW	SYNC PM	-	75
Synchronous speed	min ⁻¹	1500		
Size & Construction form	-	250	-	IM B35
IP degree of protection and insulation class of the electric motor	-	IP 55	-	class F

VENTILATOR

Type and number of installed fans	-	Radial	-	n. 1
Nominal power	kW	2,58		
IP degree of protection & Insulation class of the fan	-	IP54	-	class F
Fan flow rate	m ³ /h	9849		
Static pressure	Pa	572		

LUBRICANT

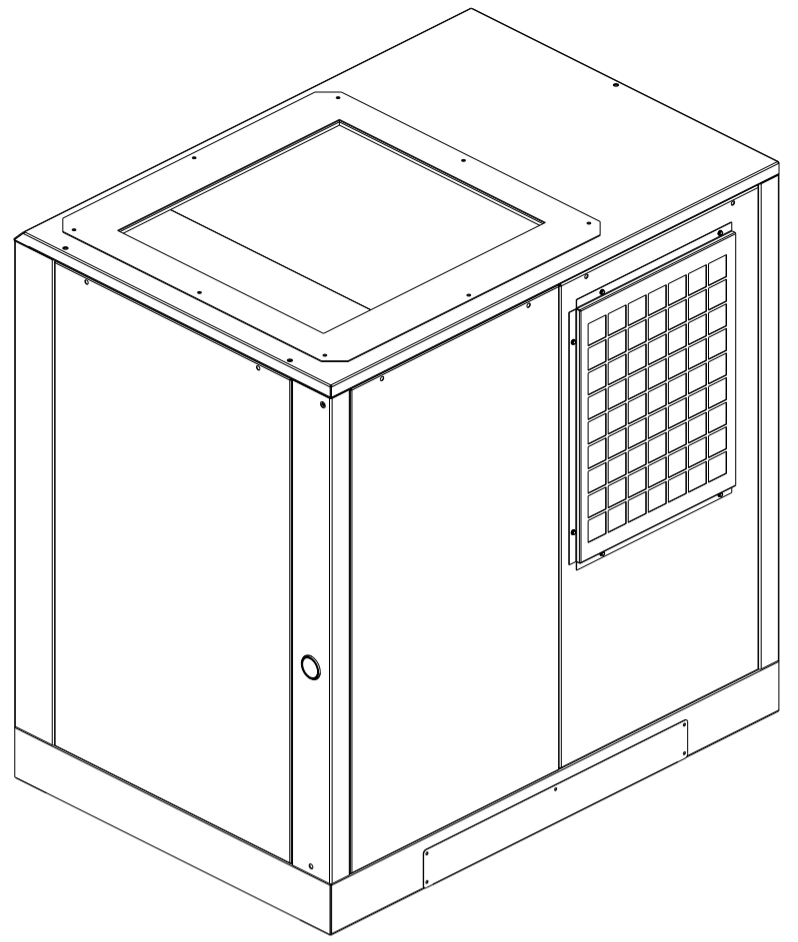
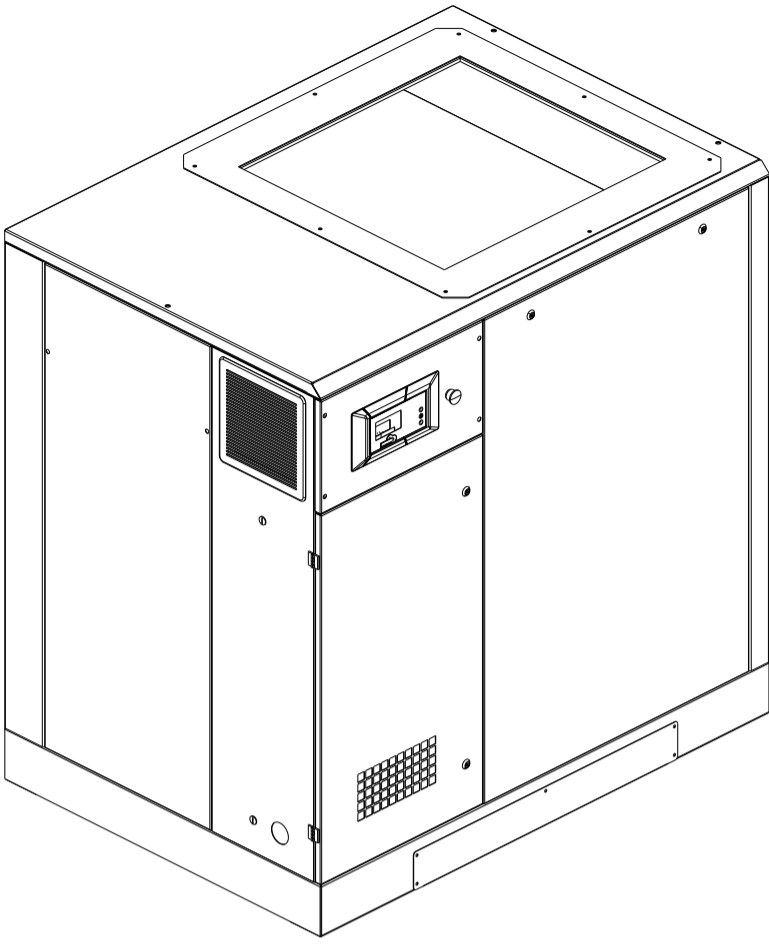
Type	-	RotarEcoFluid 46		
Oil quantity	l	48,415		
Oil carry over	mg/m ³	2 - 4		

SAFETY DEVICES

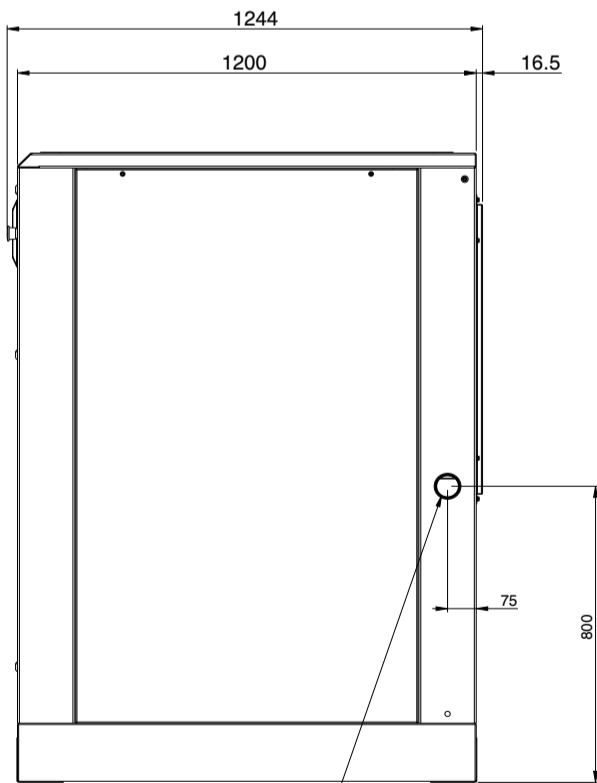
Max oil working temperature	°C	110		
Pre-alarm oil working temperature	°C	105		
Safety valve setting	bar	14		
Protection type from electric motor overload	-	by Inverter		

DIMENSIONS & DOCUMENTATION

Length x Width x Height	mm	2300 / 1460 / 1960		
Weight	kg	2815		
Air outlet size	G	2"		
Dimensional drawing code	-	DIM1025		
Wiring diagram code	-	#305998520 - #305998530		
End User Compressor Manual Code	-	#197EE1430ML		



INTERRUTTORE ARRESTO DI
EMERGENZA EMERGENCY
STOP SWITCH



USCITA ARIA COMPRESSA G 2"
COMPRESSED AIR OUTLET G 2"

