



## K-MAX 55 – 08 VS PM

Stationär ljuddämpad skruvkompressor med variabelt varvtal.

- + Direktdrivet skruvblock och permanent magnet motor, effektivt och driftsäkert
- + Kompakt design, lätt placerad och enkel installation
- + Kontrollbox Login med LCD display, möjlighet att ansluta upp till 8 enheter
- + Termostatstyrd centrifugal fläkt, effektiv och tyst kylning
- + Förfilter-panel, ren och dammfri insida för ökad brukstid
- + Spin-On filter för enkel och effektivt underhåll

Art.nr.	Benämning	Volt	kW	l/min	Bar	dBA	Vikt kg	Dim lxbxh cm
100 104 391	K-MAX 55-08VS	400/3	55	1.800/10.100	8	72	1110	170x125x170



# Scheda Tecnica Compressore

## Compressor Technical Datasheet

Document Nr.  
K-MAX 55-08 VS PM\_V60FW97FNMA60\_2022-09\_EN\_

Date Creation: 2022-09

Date Rev.: -

Filled by:

R&amp;D

Checked by:

Customer Care

Compressor Model: K-MAX 55-08 VS PM

- V60FW97FNMA60

**GENERAL DATA**

Nominal input power	kW	55
	HP	75,0
Min/Max pressure limits	bar	5 ÷ 7,5
	psi	73 ÷ 109
Supply frequency	Hz	50
Main voltage supply value	V - ph	400 ±5% - n.ph 3~
Auxiliary voltage supply value	V - ph	24 ±5% - n.ph 1~
Drive type	-	Direct 1:0
Air-end model	-	FS270
Electronic controller model	-	LOGIN
Entire compressor IP grade	-	IP 20
Ambient Working Temperature	°C	min. +2 - max. +45

**WORKING DATA**

Working pressure	bar	7,5
	psi	109
Air flow (acc. to ISO 1217 Annex C and Annex E for variable speed compressors)	l/min	1800 / 10100
	m <sup>3</sup> /min	1,8 / 10,1
	c.f.m.	64 / 357
Starting current / Rated current / Dryer current	A	n.a. / 107 / -
Max final air temperature above ambient	°C	10
Removed heat	kJ/h	188000
Sound pressure (acc. to ISO 3744:2010 - ISO 3745:2012-Annex A)	dB(A)	72 ± 3 dB(A)

**ELECTRIC MOTOR**

Electric motor type & Nominal power (acc. to IEC 60034-1)	kW	SYNC PM	-	55
Synchronous speed	min <sup>-1</sup>		3000	
Size & Construction form	-	225	-	IM B35
IP degree of protection and insulation class of the electric motor	-	IP 55	-	class F

**VENTILATOR**

Type and number of installed fans	-	Radial	-	n. 1
Nominal power	kW		1,72	
IP degree of protection & Insulation class of the fan	-	IP54	-	class F
Fan flow rate	m <sup>3</sup> /h		5968	
Static pressure	Pa		596	

**LUBRICANT**

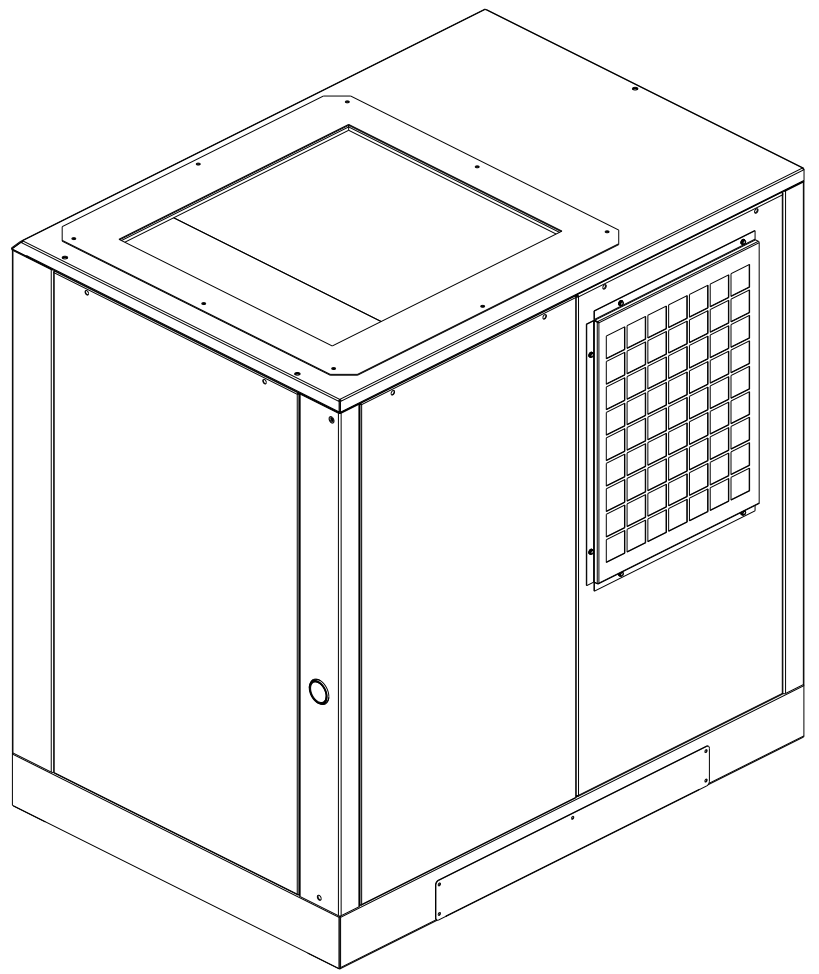
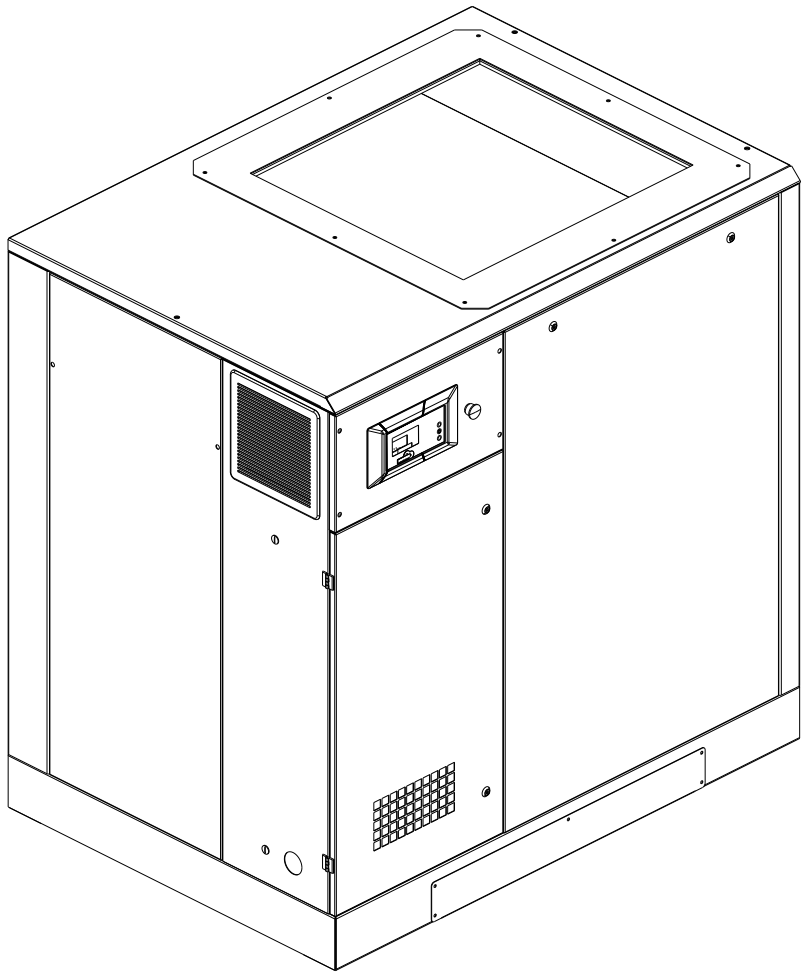
Type	-	RotarEcoFluid 46
Oil quantity	l	25,3
Oil carry over	mg/m <sup>3</sup>	2 - 4

**SAFETY DEVICES**

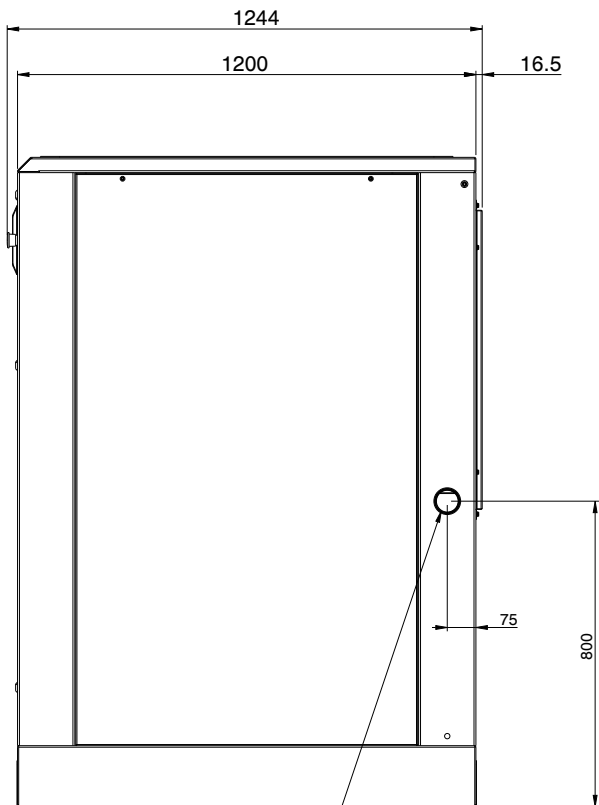
Max oil working temperature	°C	110
Pre-alarm oil working temperature	°C	105
Safety valve setting	bar	14
Protection type from electric motor overload	-	by Inverter

**DIMENSIONS & DOCUMENTATION**

Length x Width x Height	mm	1700 / 1250 / 1700
Weight	kg	1110
Air outlet size	G	2"
Dimensional drawing code	-	DIM1027
Wiring diagram code	-	#305997510 - #305997520
End User Compressor Manual Code	-	#197EE1430ML



INTERRUTTORE ARRESTO  
DI EMERGENZA  
EMERGENCY STOP SWITCH



USCITA ARIA COMPRESSA G 2"  
COMPRESSED AIR OUTLET G 2"

