



### K-MAX 38 – 08 VS PM

Stationär ljuddämpad skruvkompressor med variabelt varvtal.

- + Direktdrivet skruvblock och permanent magnet motor, effektivt och driftsäkert
- + Kompakt design, lätt placerad och enkel installation
- + Kontrollbox Login med LCD display, möjlighet att ansluta upptill 8 enheter
- + Termostatstyrd centrifugal fläkt, effektiv och tyst kylning
- + Förfilter-panel, ren och dammfri insida för ökad brukstid
- + Spin-On filter för enkel och effektivt underhåll

Art.nr.	Benämning	Volt	kW	l/min	Bar	dB(A)	Vikt kg	Dim lxbxh cm
100 104 380	K-MAX 38-08VS	400/3	37	1.350/6.900	7	70	850	159x100x156



# Scheda Tecnica Compressore

## Compressor Technical Datasheet

Document Nr.  
K-MAX 38-08 VS PM\_V60DU97FNMA60\_2022-09\_EN\_

Date Creation: 2022-09

Date Rev.: -

Filled by:

R&amp;D

Checked by:

Customer Care

Compressor Model: K-MAX 38-08 VS PM

- V60DU97FNMA60

### GENERAL DATA

Nominal input power	kW	37
	HP	50,0
Min/Max pressure limits	bar	5 ÷ 7,5
	psi	73 ÷ 109
Supply frequency	Hz	50
Main voltage supply value	V - ph	400 ±5% - n.ph 3~
Auxiliary voltage supply value	V - ph	24 ±5% - n.ph 1~
Drive type	-	Direct 1:1
Air-end model	-	FS270
Electronic controller model	-	LOGIN
Entire compressor IP grade	-	IP 20
Ambient Working Temperature	°C	min. +2 - max. +45

### WORKING DATA

Working pressure	bar	7,5
	psi	109
Air flow (acc. to ISO 1217 Annex C and Annex E for variable speed compressors)	l/min	1350 / 6900
	m <sup>3</sup> /min	1,35 / 6,9
	c.f.m.	48 / 244
Starting current / Rated current / Dryer current	A	n.a. / 72 / -
Max final air temperature above ambient	°C	10
Removed heat	kJ/h	126540
Sound pressure (acc. to ISO 3744:2010 - ISO 3745:2012-Annex A)	dB(A)	70 ± 3 dB(A)

### ELECTRIC MOTOR

Electric motor type & Nominal power (acc. to IEC 60034-1)	kW	SYNC PM	-	37
Synchronous speed	min <sup>-1</sup>			3000
Size & Construction form	-	180	-	IM B35
IP degree of protection and insulation class of the electric motor	-	IP 55	-	class F

### VENTILATOR

Type and number of installed fans	-	Radial	-	n. 1
Nominal power	kW			0,63
IP degree of protection & Insulation class of the fan	-	IP54	-	class F
Fan flow rate	m <sup>3</sup> /h			3511
Static pressure	Pa			361

### LUBRICANT

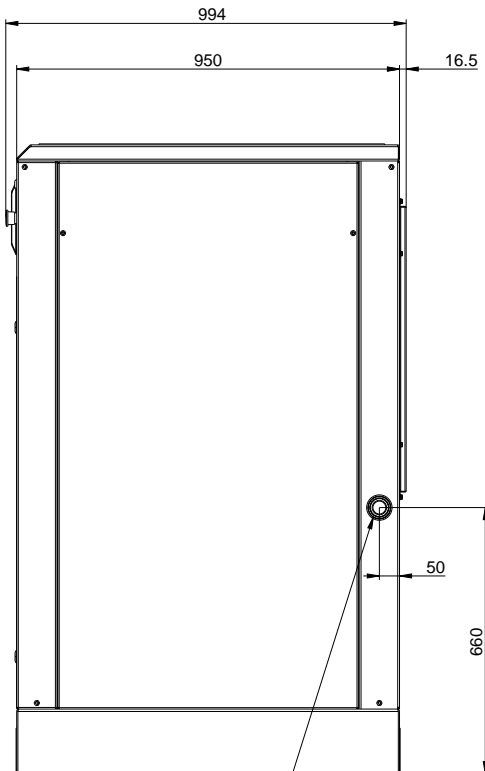
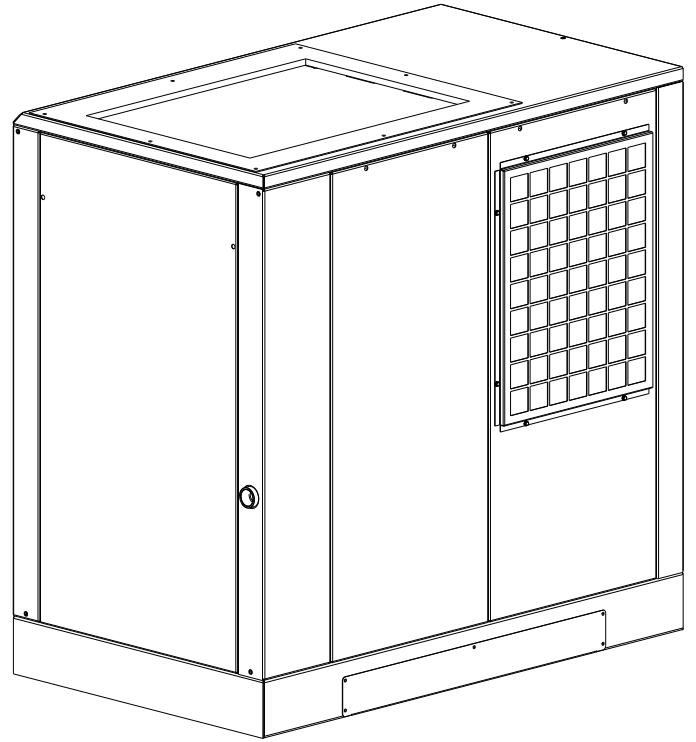
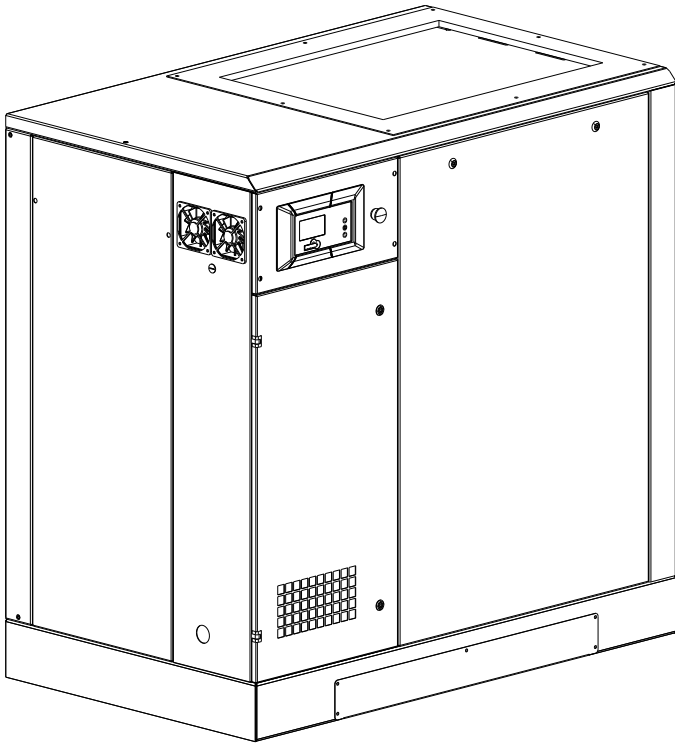
Type	-			RotarEcoFluid 46
Oil quantity	l			28,175
Oil carry over	mg/m <sup>3</sup>			2 - 4

### SAFETY DEVICES

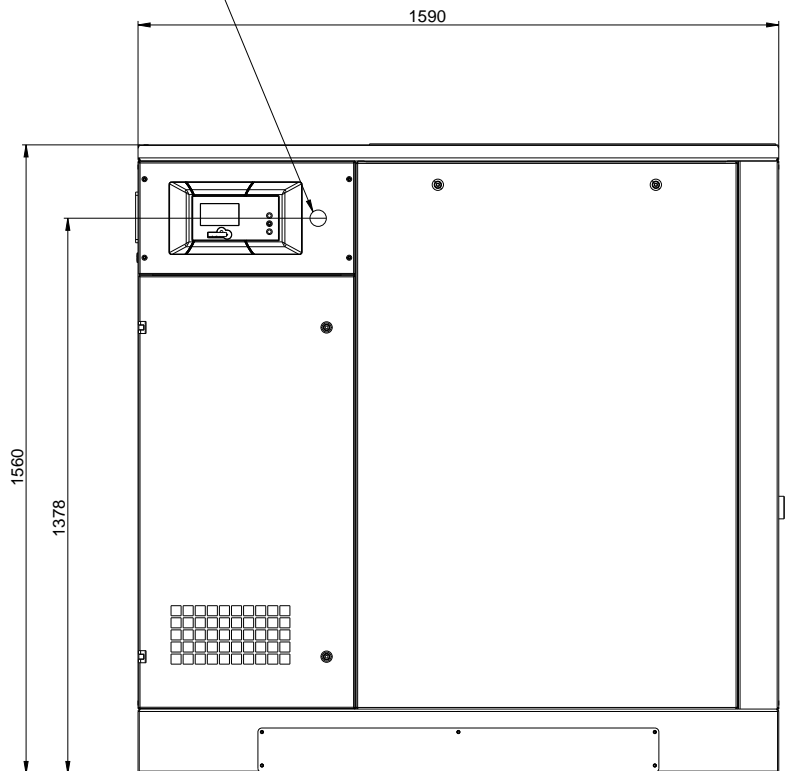
Max oil working temperature	°C			110
Pre-alarm oil working temperature	°C			105
Safety valve setting	bar			14
Protection type from electric motor overload	-			by Inverter

### DIMENSIONS & DOCUMENTATION

Length x Width x Height	mm			1590 / 1000 / 1560
Weight	kg			850
Air outlet size	G			1" 1/2
Dimensional drawing code	-			DIM1016
Wiring diagram code	-			#305996520 - #305996540
End User Compressor Manual Code	-			#197EE1430ML



INTERRUTTORE D' ARRESTO  
EMERGENCY STOP SWITCH



USCITA ARIA COMPRESSA  
COMPRESSED AIR OUTLET  
Rp1"1/2